

# Table SLIDES

& Accessories



*- high quality furniture fittings*





- high quality furniture fittings

SISO A/S  
MILEPARKEN 11  
DK - 2740 SKOVLUNDE  
(COPENHAGEN)  
DENMARK  
PHONE: (+45) 45 830 900  
FAX: (+45) 45 830 444  
E-MAIL: [SISO@SISO.DK](mailto:SISO@SISO.DK)  
[WWW.SISO.DK](http://WWW.SISO.DK)

**All specifications stated in the catalogue are errors and omissions excepted**

**SISO A/S tager forbehold for trykfejl samt ændringer i produktets specifikationer.**

**Für Druckfehler und Irrtümer ist jede Haftung ausgeschlossen. Produktänderungen behalten wir uns vor.**

DISTRIBUTOR





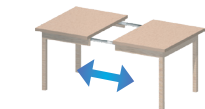
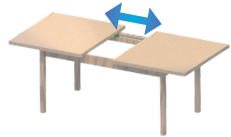
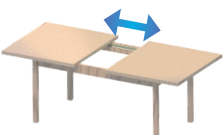
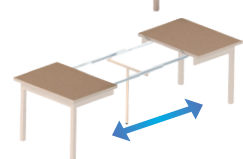

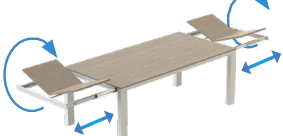
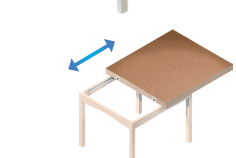





















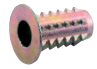
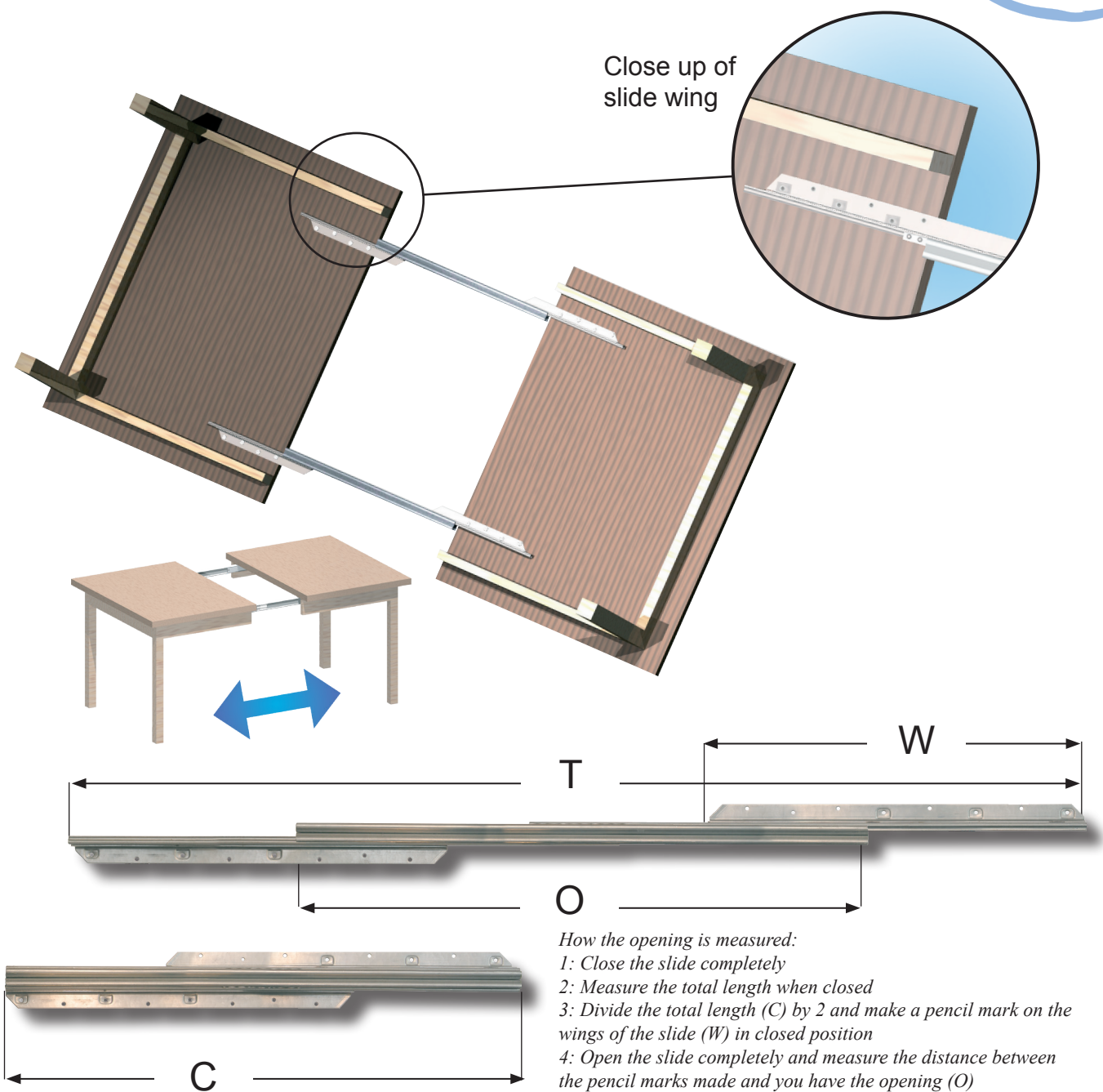
<p>SPLIT FRAME where the frame &amp; legs move</p>	<p>5</p>	
<p>TOP SLIDE 9097 where the table top moves</p>	<p>6</p>	
<p>SYNCHRONIC SLIDE where the table top moves synchronously</p>	<p>7-10</p>	
<p>SPLIT FRAME »X-TRA LONG« for extra long table inserts</p>	<p>11</p>	
<p>WOOD SLIDE »SPLIT« with worm gear for easy opening</p>	<p>12</p>	
<p>FRONT SLIDE »SS-304« without wings</p>	<p>13</p>	
<p>»9096« FOR FOLDED TABLE TOPS where the table plates are folded as a book</p>	<p>14</p>	
<p>LEG CORNER BRACKETS</p>	<p>15-16</p>	
<p>HANGERBOLTS &amp; TOOL FOR INSERTING</p>	<p>17</p>	
<p>KEA SCREW-IN BUSHING</p>	<p>18-21</p>	
<p>”RIMA” LEG CONNECTOR F/SQUARE LEGS</p>	<p>22-23</p>	
<p>TWISTER &amp; MINI TWISTER - THE LEG CONNECTORS</p>	<p>24-26</p>	
<p>TWIST´N TURN - THE LEG CONNECTOR</p>	<p>27</p>	
<p>”CURLY” MULTIFUNCTIONAL FOLDING LEG BRACKET</p>	<p>28-29</p>	

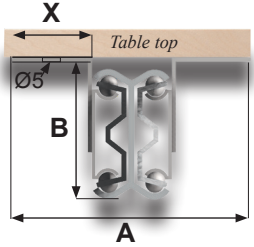
TABLE METAL LEGS W/HEIGHT ADJUSTER	30	
HINGES	31-35	
TABLE CONNECTOR & CATCHES	36	
SPANNERS & LAZY SUSAN	37	
TABLE SPANNER "TURTLE"	38	
LOCATING PINS	39	
CLICK CATCH - TABLE CONNECTOR	40-43	
SURF - THE TABLE CONNECTOR	44-46	
CATCH # 22 - TABLE CATCH	47	
HIDE AWAY MECHANISM & ACCESSORIES	48-49	
TABLE CLIPS & NUTS	50	
LOCKING PIN & HOOKS	51	
NAIL-ON GLIDES	52-53	
ADJUSTABLE GLIDES	54-56	
ADJUSTABLE GLIDES & BUSHINGS	56	

# SPLIT FRAME

- high quality furniture fittings



- How the opening is measured:*
- 1: Close the slide completely
  - 2: Measure the total length when closed
  - 3: Divide the total length (C) by 2 and make a pencil mark on the wings of the slide (W) in closed position
  - 4: Open the slide completely and measure the distance between the pencil marks made and you have the opening (O)

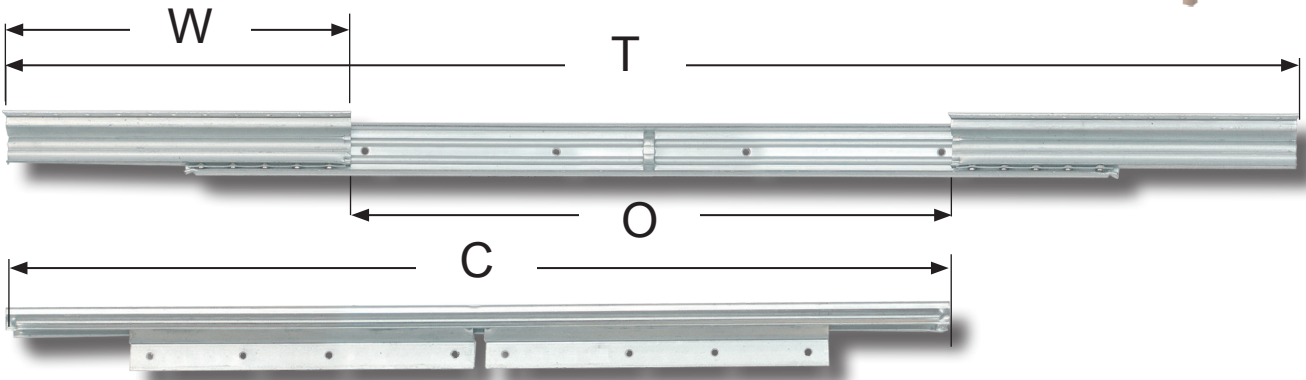
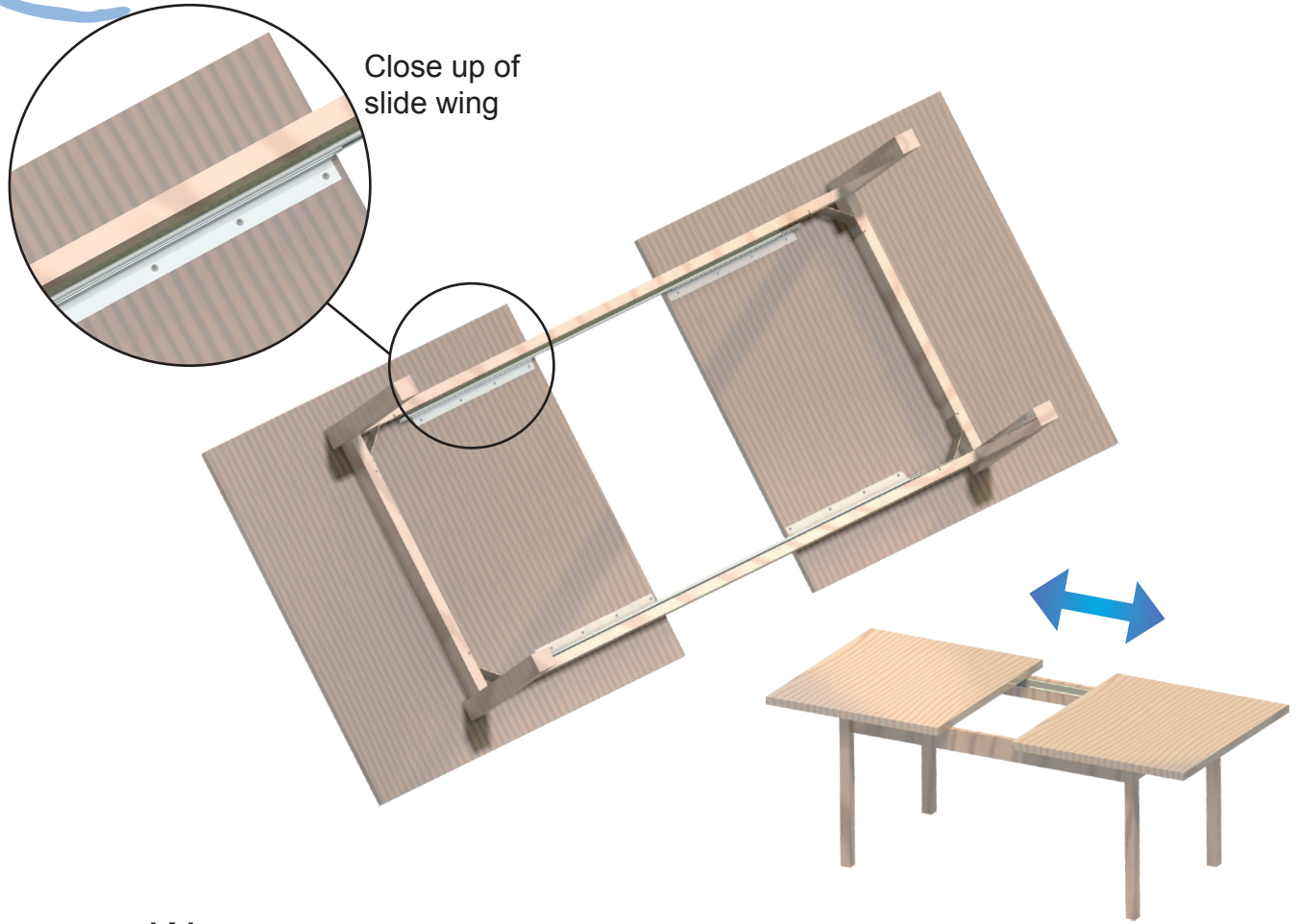


*\* Illustration only for measurement use*

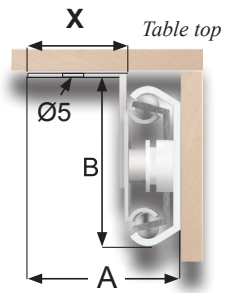
In mm	Model Split Steel - Zinc Plated				
Opening (O)	530	640	850	950	1050
Closed Length (C)	400	450	560	660	740
Total Length (T)	850	1090	1420	1620	1860
Wing Size (W)	350	370	550	550	650
Slide Width (A)	70	70	72	72	72
Slide Height (B)	40	40	47	47	47
Wing Width (X)	22	22	22	22	22
Load Capacity	60 kg.	60 kg.	90 kg.	90 kg.	90 kg.
Item No.:	24.01.005	24.01.013	24.01.019	24.01.029	24.01.042

*Other sizes on request*





In mm	Model Top Slide 9097 Steel - Zinc Plated					
Opening (O)	430	480	530	640	1020	1060
Closed Length (C)	600	650	700	800	1300	900
Total Length (T)	880	990	1050	1250	1860	1735
Wing Size (W)	220	246	246	280	420	315
Slide Width (A)	32	32	32	32	32	32
Slide Height (B)	38	38	38	38	38	40
Wing Width (X)	21	21	21	21	21	21
Load Capacity	45 kg.	45 kg.	45 kg.	45 kg.	45 kg.	45 kg.
Item No.:	24.05.013	24.05.024	24.05.037	24.05.051	24.05.085	24.05.100

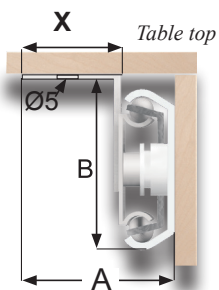
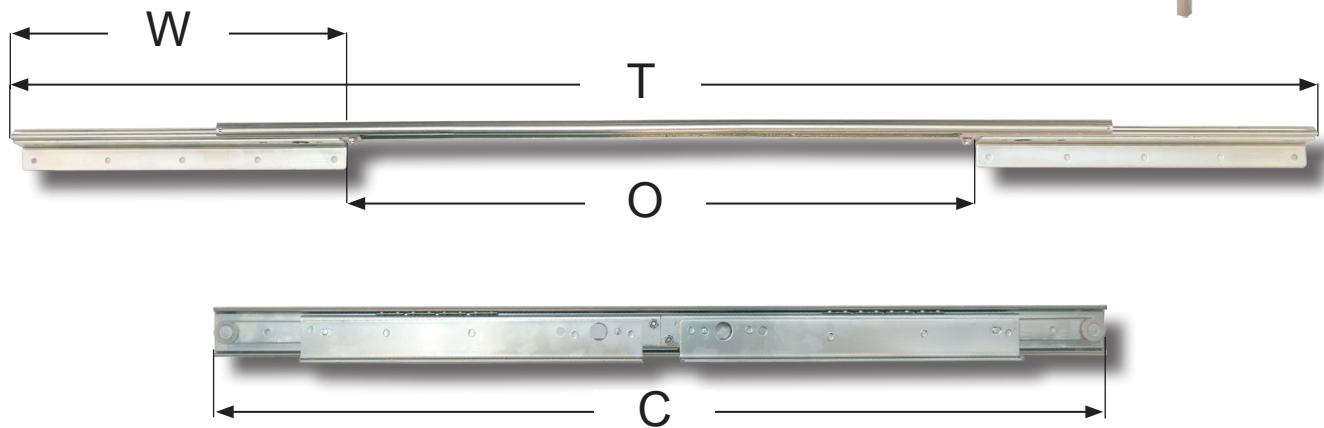
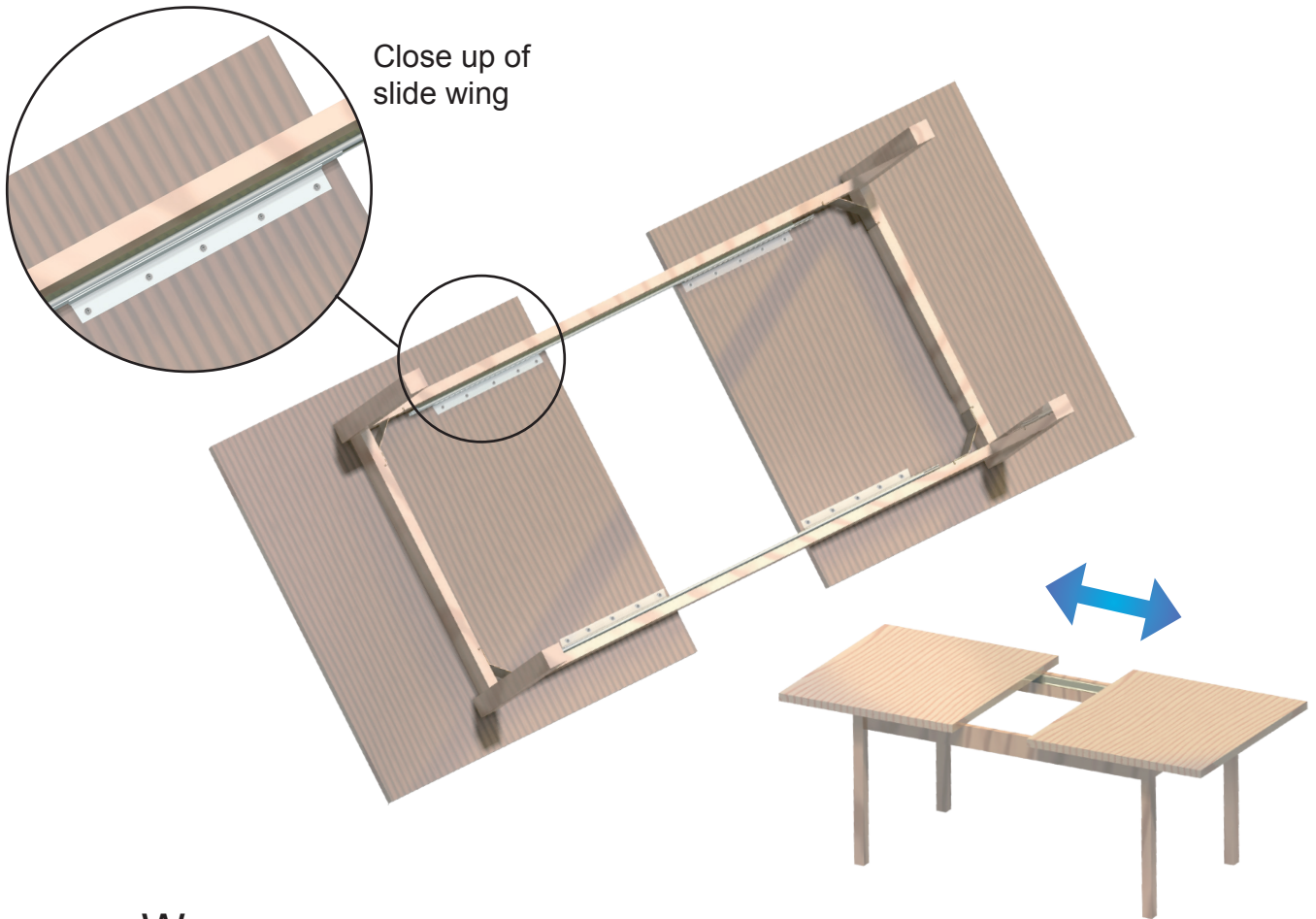


*\* Illustration only for measurement use*

*Other sizes on request*

# SYNCHRONIC SLIDE »BUDGET«

- high quality furniture fittings

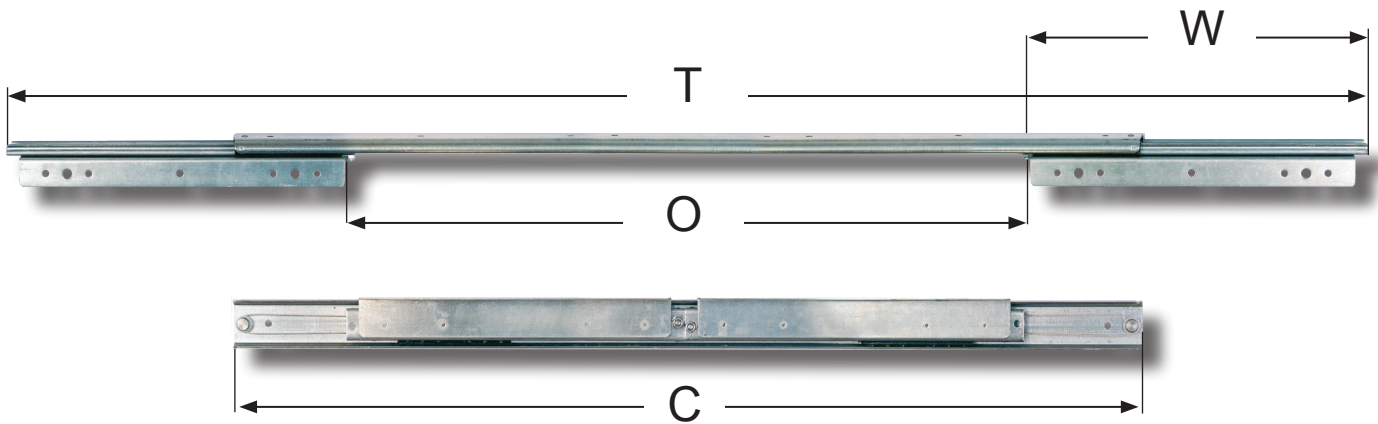
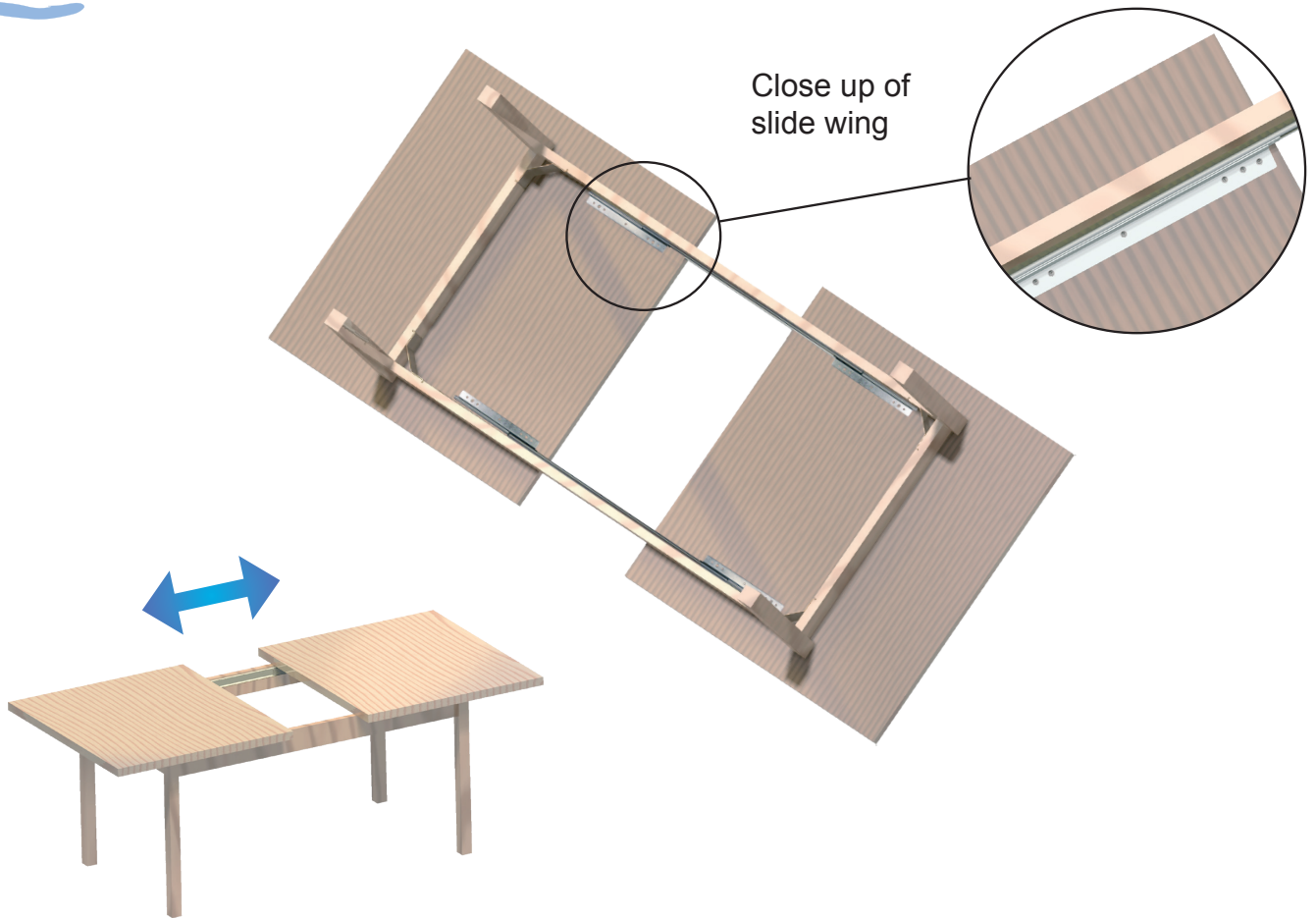


*\* Illustration only  
for measurement use*

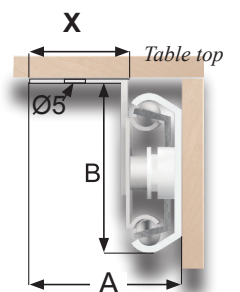
*Other sizes on request*

In mm	Model Synchronic »Budget« Steel - Zinc Plated					
Opening (O)	420	470	518	570	631	1020
Closed Length (C)	627	675	725	777	838	1227
Total Length (T)	1003	1051	1101	1153	1214	1859
Wing Size (W)	276	276	276	276	276	404
Slide Width (A)	34	34	34	34	34	34
Slide Height (B)	43	43	43	43	43	43
Wing Width (X)	21	21	21	21	21	21
Load Capacity	45 kg.	45 kg.	45 kg.	45 kg.	45 kg.	45 kg.
Item No.:	24.03.530	24.03.543	24.03.547	24.03.548	24.03.551	24.03.560

# SYNCHRONIC SLIDE »STANDARD«



In mm	Model Synchronic »Standard« Steel - Zinc Plated					
Opening (O)	420	470	520	570	620	1020
Closed Length (C)	610	650	700	750	800	1250
Total Length (T)	950	990	1040	1090	1220	1830
Wing Size (W)	240	240	240	240	280	370
Slide Width (A)	35	35	35	35	35	36
Slide Height (B)	40	40	40	40	40	50
Wing Width (X)	22	22	22	22	22	22
Load Capacity	60 kg.	60 kg.	60 kg.	60 kg.	60 kg.	90 kg.
Item No.:	24.03.531	24.03.544	24.03.546	24.03.549	24.03.552	24.03.561



\* Illustration only  
for measurement use

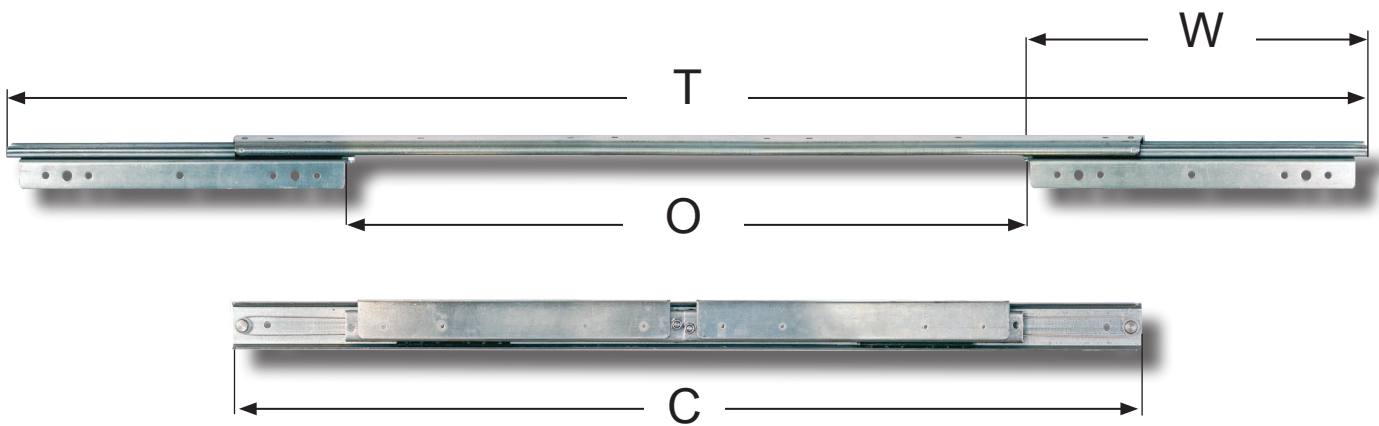
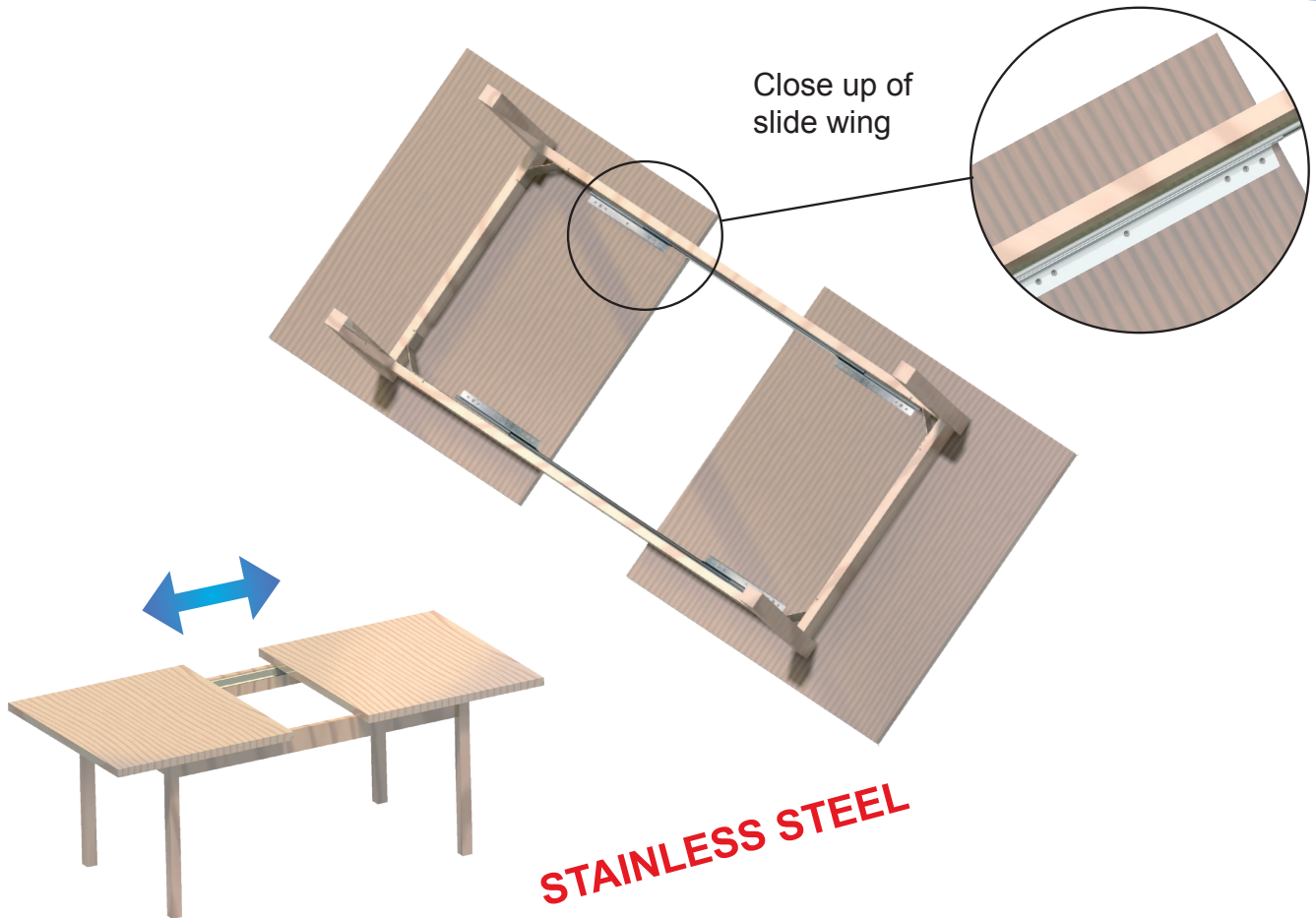
Other sizes on request



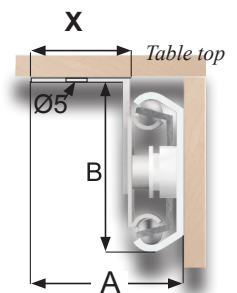
# SYNCHRONIC SLIDE »SS-304«

- high quality furniture fittings

**SISO** DENMARK



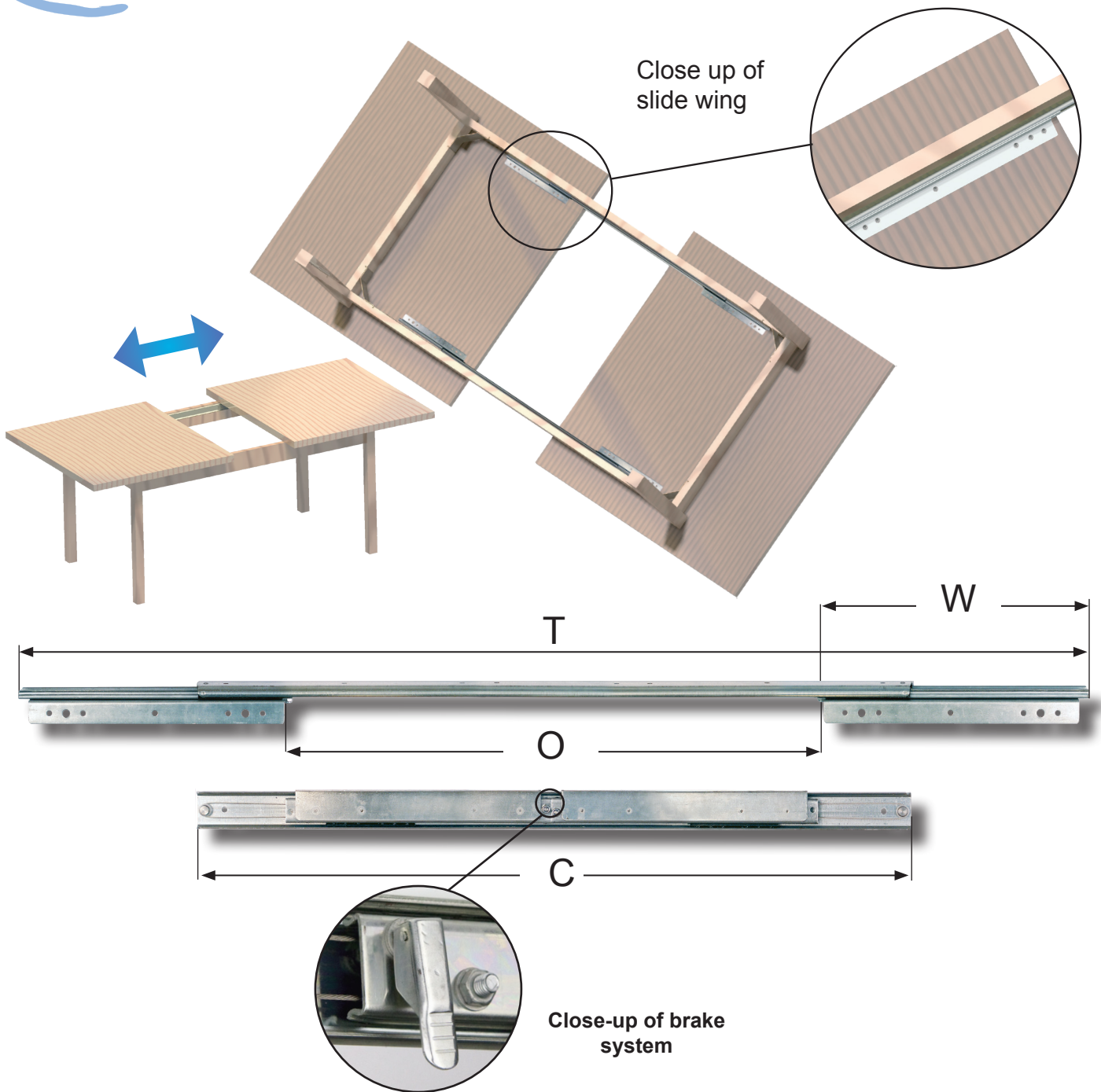
In mm	Model Synchronic »SS-304« Stainless Steel - 304
Opening (O)	1020
Closed Length (C)	1250
Total Length (T)	1830
Wing Size (W)	370
Slide Width (A)	34,50
Slide Height (B)	39
Wing Width (X)	20
Load Capacity	60 kg.
Item No.:	24.03.559



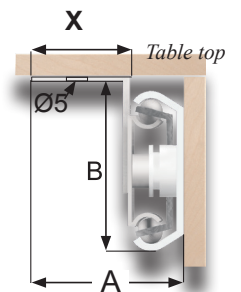
*\* Illustration only  
for measurement use*

*Other sizes on request*

# SYNCHRONIC SLIDE WITH BRAKE



In mm	Model Synchronic "Brake" Steel - Zinc Plated				
Opening (O)	407	507	607	907	1007
Closed Length (C)	610	700	800	1250	1250
Total Length (T)	900	1040	1220	1660	1830
Wing Size (W)	240	240	305	370	370
Slide Width (A)	33	33	33	39	39
Slide Height (B)	40	40	40	49	49
Wing Width (X)	20	20	20	22	22
Load Capacity	60 kg.	60 kg.	60 kg.	90 kg.	90 kg.
Item No.:	24.03.572	24.03.580	24.03.586	24.03.590	24.03.595

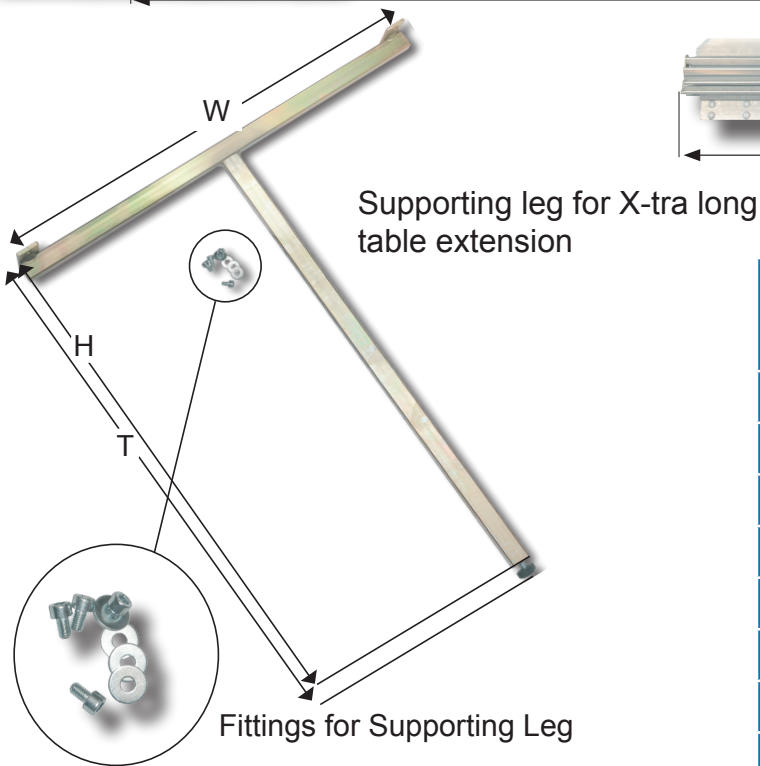
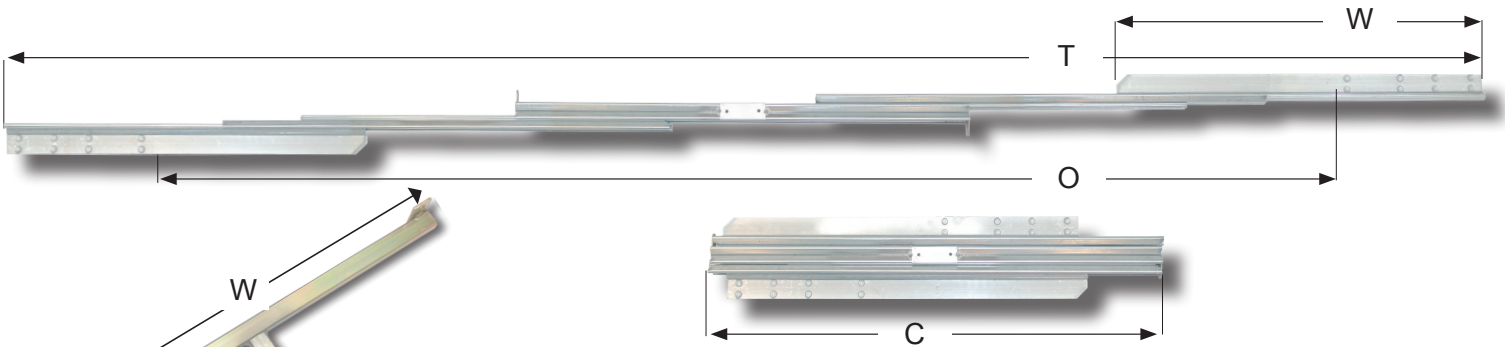
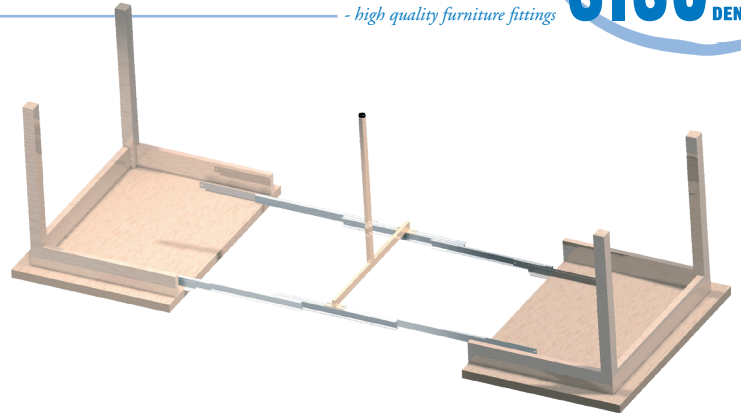
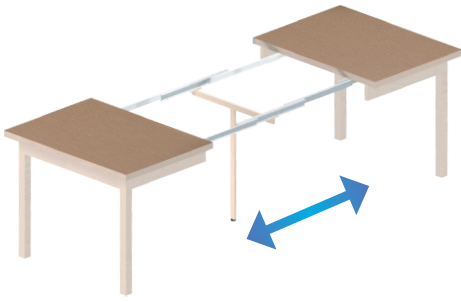


\* Illustration only  
for measurement use

Other sizes on request

# SPLIT FRAME »X-TRA LONG«

- high quality furniture fittings



In mm	Model Split »X-tra Long« Steel - Zinc Plated
Opening (O)	2060
Closed Length (C)	805
Total Length (T)	2635
Wing Size (W)	650
Slide Width (A)	150
Slide Height (B)	40
Wing Width (X)	36
Load Capacity	70 kg.
Item No.:	24.02.215

Supporting Leg Steel Yellow Zinc Plated	In mm
Width (W)	600
Height (H)	665
Total Hight (T)	680
Item No.:	24.02.216

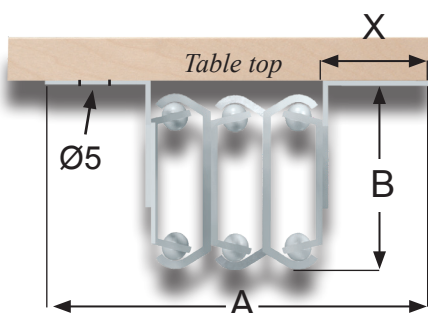
How the opening is measured:

1: Close the slide completely

2: Measure the total length when closed

3: Divide the total length (C) by 2 and make a pencil mark on the wings of the slide (W) in closed position

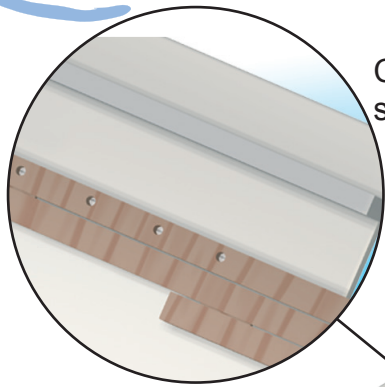
4: Open the slide completely and measure the distance between the pencil marks made and you have the opening (O)



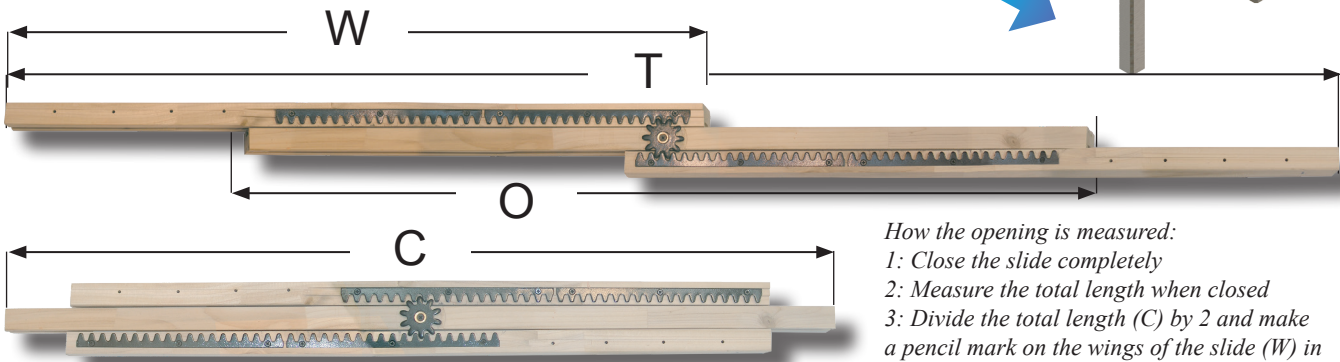
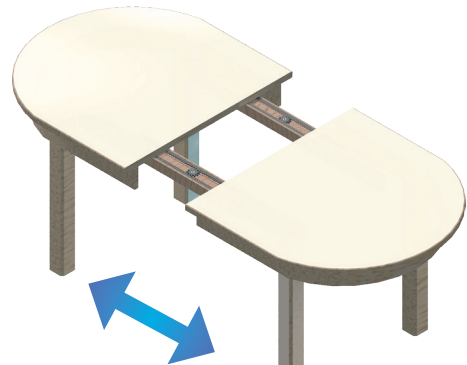
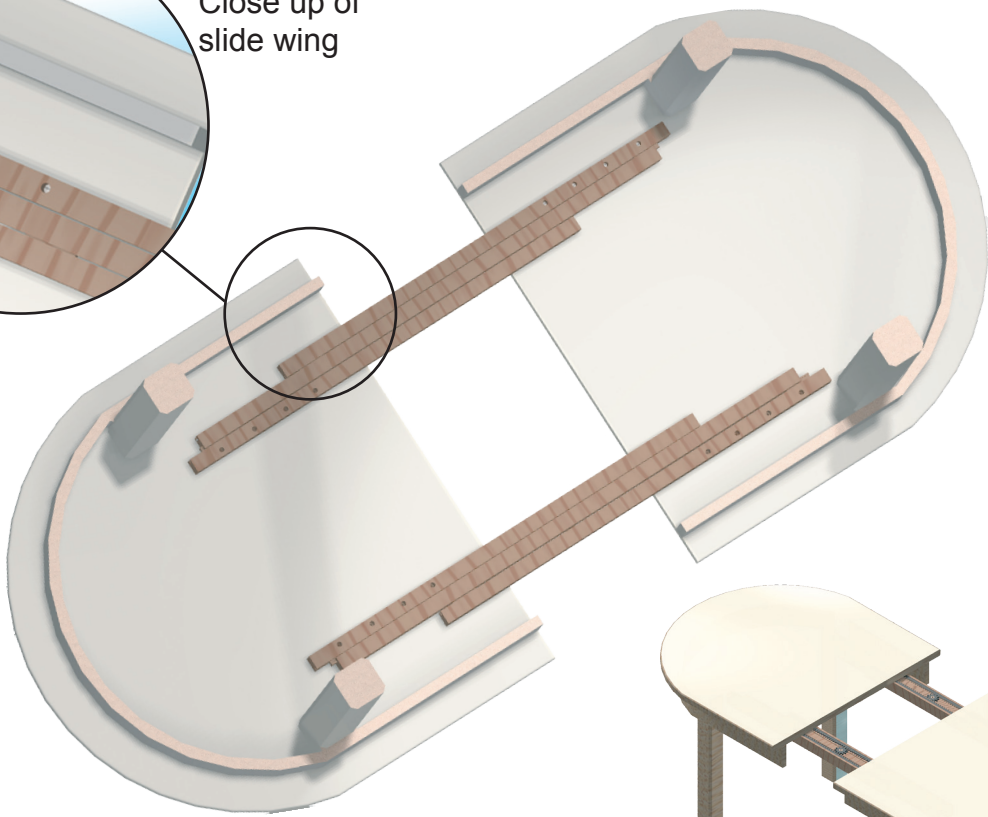
\* Illustration only  
for measurement use

Other sizes on request





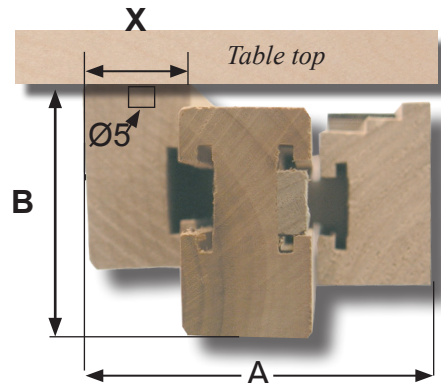
Close up of slide wing



How the opening is measured:

- 1: Close the slide completely
- 2: Measure the total length when closed
- 3: Divide the total length (C) by 2 and make a pencil mark on the wings of the slide (W) in closed position
- 4: Open the slide completely and measure the distance between the pencil marks made and you have the opening (O)

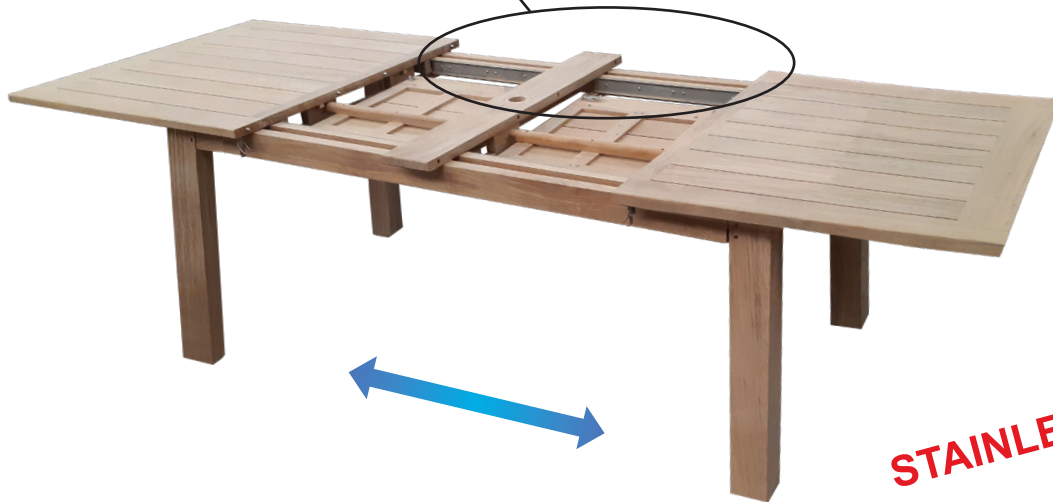
In mm	Wood Slide »Split« Durian Wood Hard Plastic Worm Gear		
Opening (O)	650	960	1035
Closed Length (C)	685	1060	1060
Total Length (T)	1340	2015	2082
Wing size (W)	683	1055	1055
Slide Width (A)	90	90	90
Slide Height (B)	60	60	60
Wing Width (X)	28	28	28
Item No.:	24.02.549	24.02.551	24.02.552



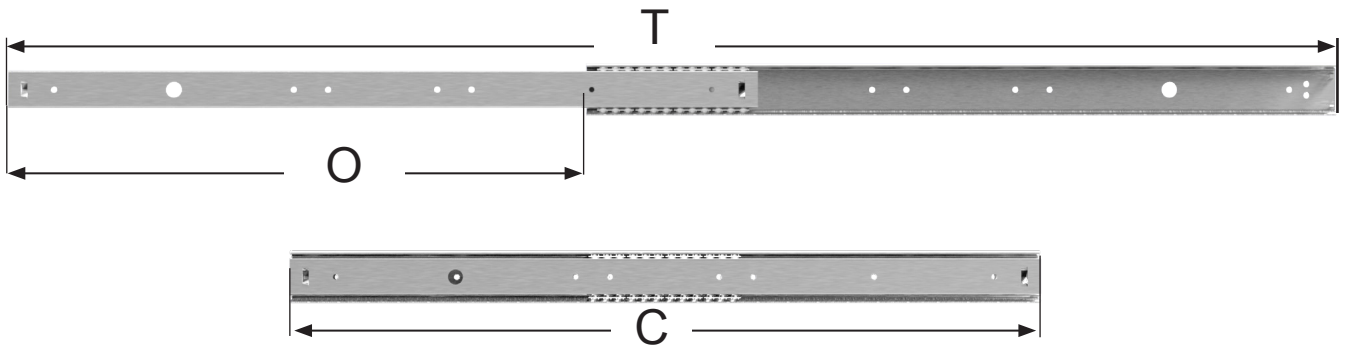
\* Illustration only  
for measurement use

# FRONT SLIDE »SS-304«

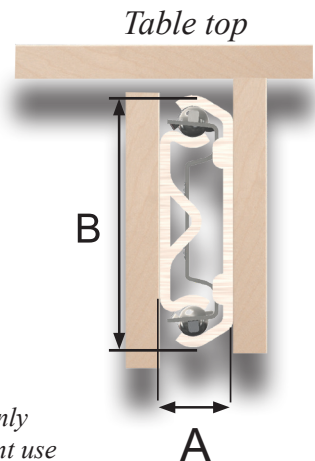
- high quality furniture fittings



**STAINLESS STEEL**

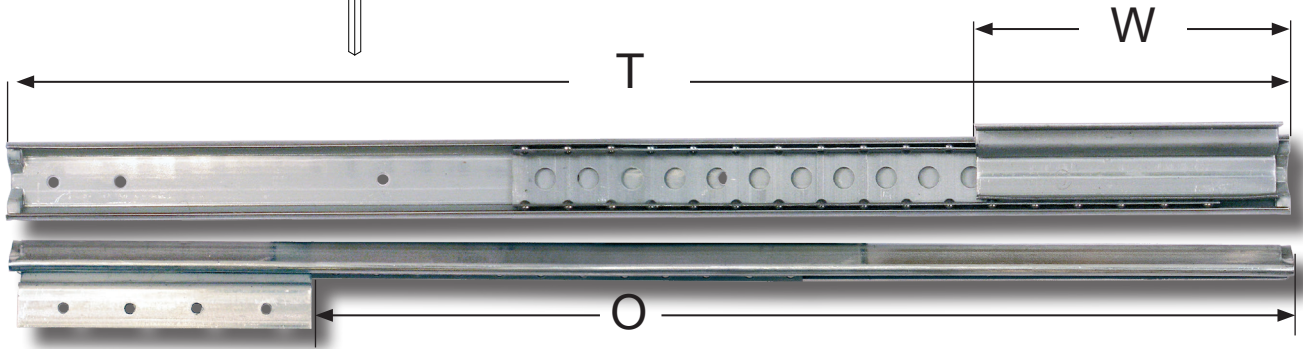
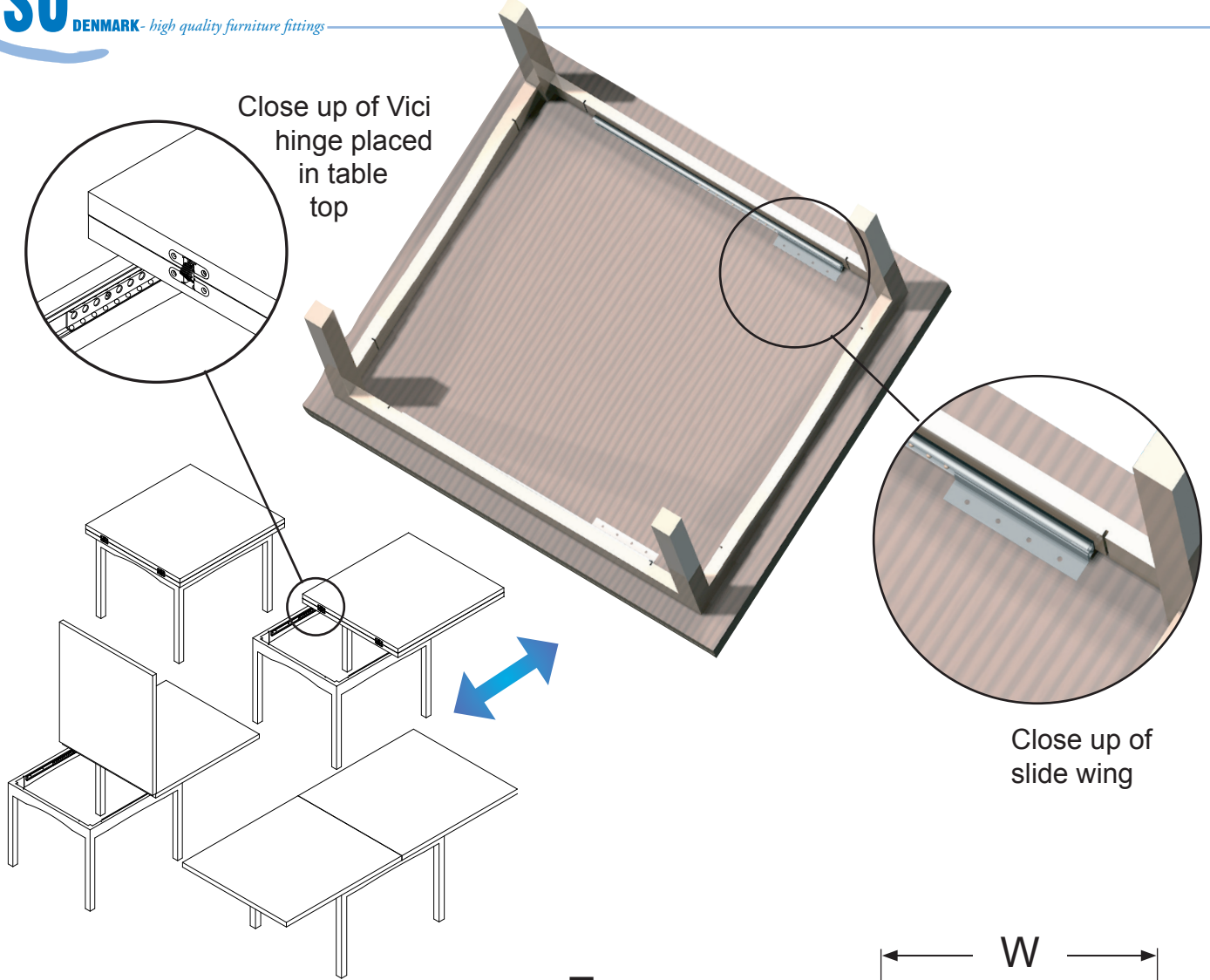


In mm	Model Front Slide »SS-304« Stainless Steel - 304	
Opening (O)	548	560
Closed Length (C)	700	750
Total Length (T)	1248	1310
Slide Width (A)	14	14
Slide Height (B)	48	48
Load Capacity	90 kg.	90 kg.
Item No.:	24.02.149	24.02.150

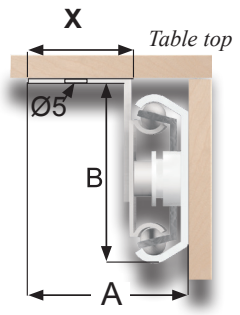


*\* Illustration only  
for measurement use*

»9096« FOR FOLDED TABLE TOPS



In mm	»9096« For Folded Table Tops			
Opening (O)	375	425	425	475
Total Length (T)	600	650	750	700
Wing Size (W)	220	220	320	220
Slide Width (A)	41	41	41	41
Slide Height (B)	40	40	40	40
Wing Width (X)	21	21	21	21
Load Capacity	60 kg.	60 kg.	60 kg.	60 kg.
Item No.:	24.04.010	24.04.020	24.04.030	24.04.040



\* Illustration only for measurement use  
Other sizes on request



# LEG CORNER BRACKETS

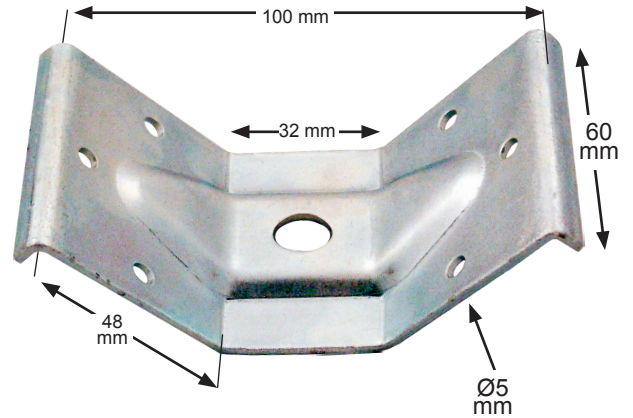
- high quality furniture fittings



## MODEL 21

Height: 60mm 1 Hole f/M8 or M10 Bolt

Steel thickness 1,5mm:  
 Steel, Yellow Zinc, 6 micron # 11.07.035  
 Steel, Bright Zinc # 11.07.030

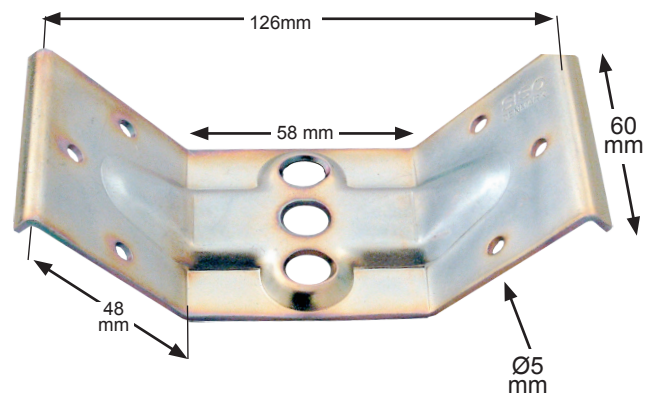


## MODEL 22

Height: 60mm 1 or 3 Holes f/M8 or M10 Bolt

1 Hole:  
 Steel thickness 2,0mm:  
 Steel, Yellow Zinc, 6 micron # 11.07.042  
 Steel, Bright Zinc # 11.07.040

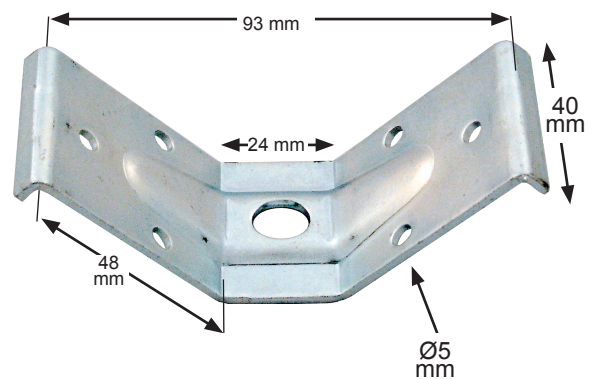
3 Holes:  
 Steel thickness 2,0mm:  
 Steel, Yellow Zinc, 8 micron # 11.07.043  
 Steel, Bright Zinc # 11.07.041



## MODEL 23

Height: 40mm 1 Hole f/M8 or M10 Bolt

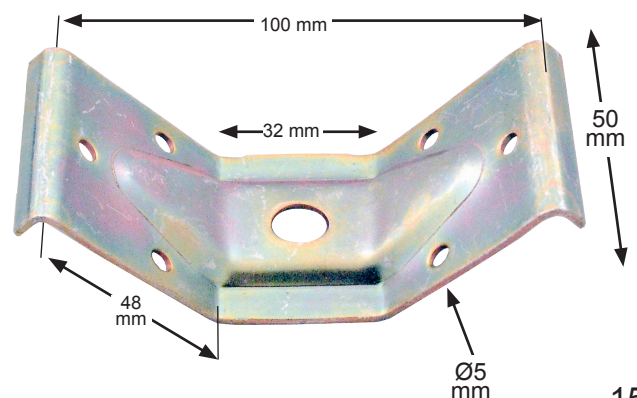
Steel thickness 1,5mm:  
 Steel, Yellow Zinc, 6 micron # 11.07.051  
 Steel, Bright Zinc # 11.07.050



## MODEL 26

Height: 50mm 1 Hole f/M8 or M10 Bolt

Steel thickness 2,0mm:  
 Steel, Yellow Zinc, 6 micron # 11.07.066  
 Steel, Bright Zinc # 11.07.065



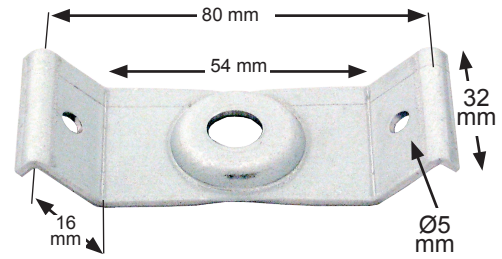
# LEG CORNER BRACKETS

## MODEL 27

Height: 32mm 1 Hole f/M8 or M10 Bolt

Steel thickness 2,0mm:  
Steel, Bright Zinc

# 11.07.070

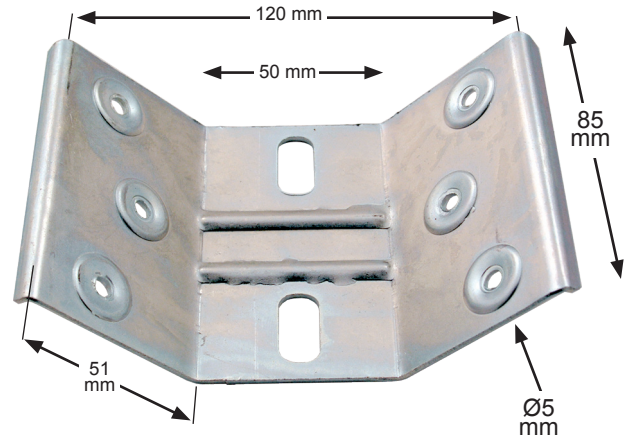


## MODEL 28

Height: 85mm 2 Holes f/M8 or M10 Bolt

Steel thickness 2,0mm:  
Steel, Bright Zinc

# 11.07.076

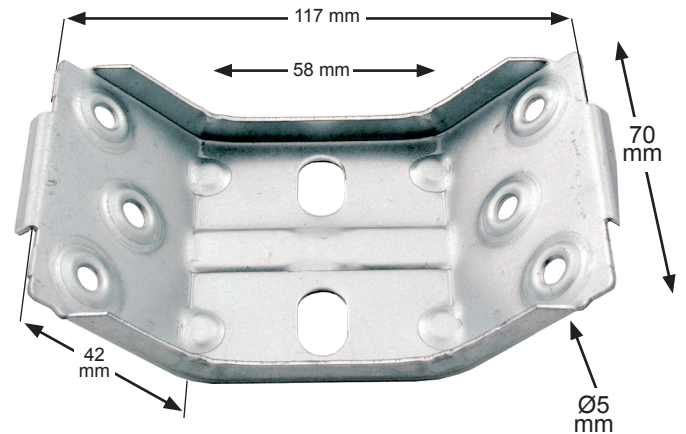


## MODEL 29

Height: 70mm 2 Holes f/M8 or M10 Bolt

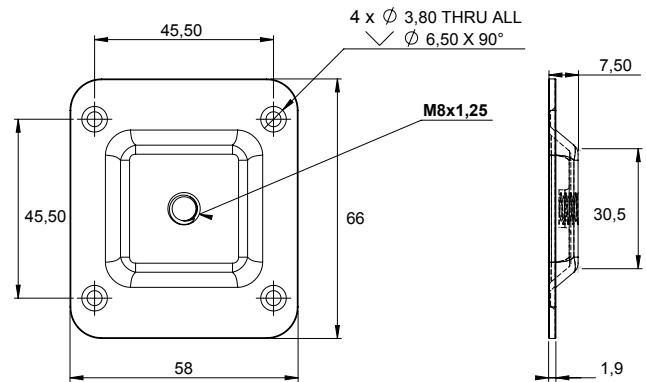
Steel thickness 1,5mm:  
Steel, Bright Zinc

# 11.07.081



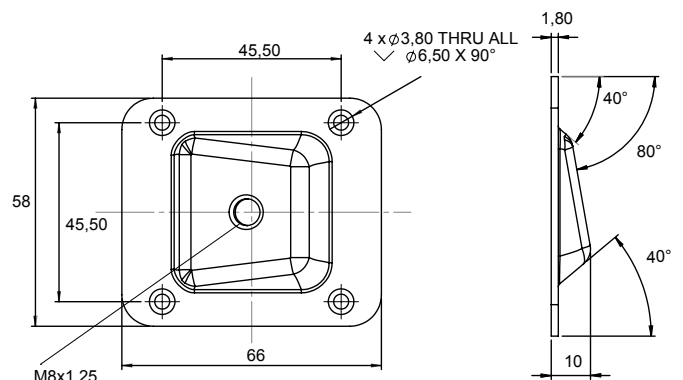
## LEG BRACKET - FLAT

Material: Steel, Bright Zinc Plated  
Size: 66 x 58 x 1,8 mm  
Hole: M8  
Item No.: # 06.11.151



## LEG BRACKET - 10 DEGREE ANGLE

Material: Steel, Bright Zinc Plated  
Size: 66 x 58 x 1,8 mm  
Hole: M8  
Item No.: # 06.11.150



# HANGERBOLTS & TOOL FOR INSERTING

- high quality furniture fittings

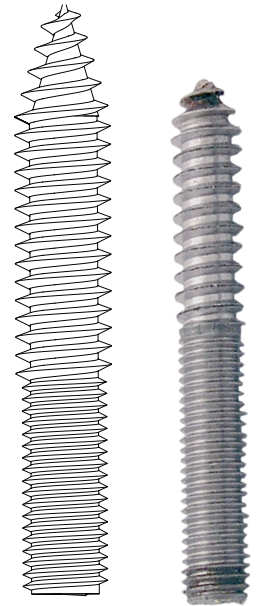


## HANGERBOLTS

Material: Steel  
Finish: Yellow Zinc or Bright Zinc

Size	Item No.:	Size	Item No.:
M4 x 25 mm	# 12.13.000	M8 x 100 mm	# 12.13.037/38
M4 x 50 mm	# 12.13.001	M10 x 50 mm	# 12.13.150
M6 x 50 mm	# 12.13.006/08	M10 x 60 mm	# 12.13.160/61
M6 x 60 mm	# 12.13.016/17	M10 x 70 mm	# 12.13.170
M8 x 50 mm	# 12.13.022/23	M10 x 80 mm	# 12.13.180
M8 x 60 mm	# 12.13.027	M10 x 90 mm	# 12.13.190
M8 x 70 mm	# 12.13.031/32	M10 x 100 mm	# 12.13.200
M8 x 80 mm	# 12.13.035	M10 x 120 mm	# 12,13.205

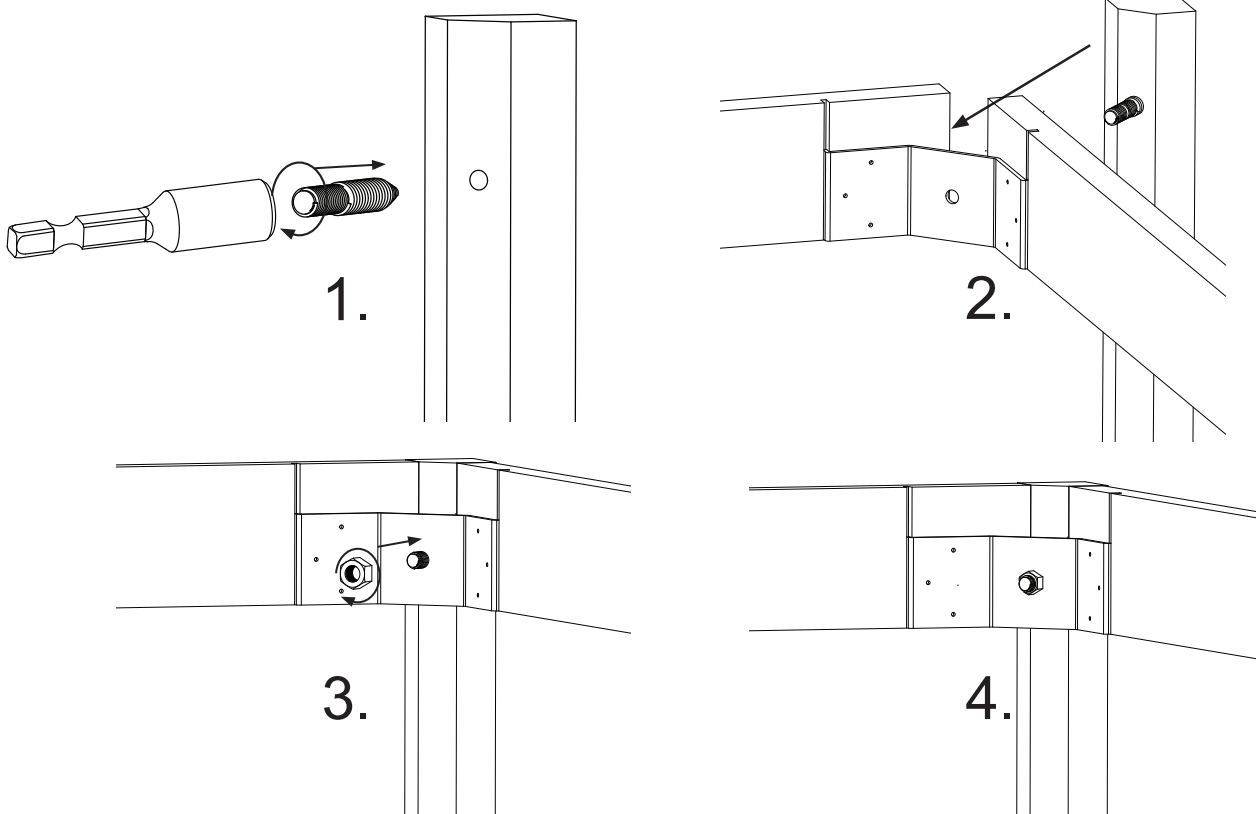
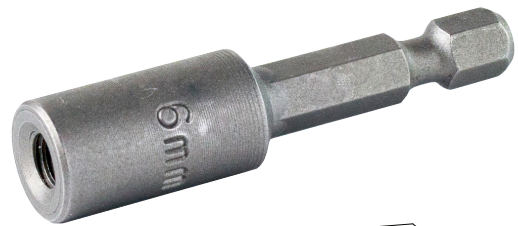
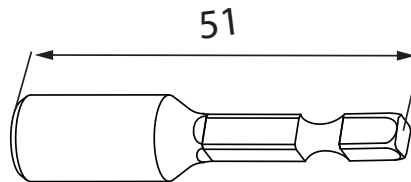
Other sizes on request



M4 to M10

## TOOL FOR INSERTING HANGERBOLTS

Size	Item No.:
M6	# 12.13.100
M8	# 12.13.105
M10	# 12.13.115



# KEA SCREW-IN BUSHING

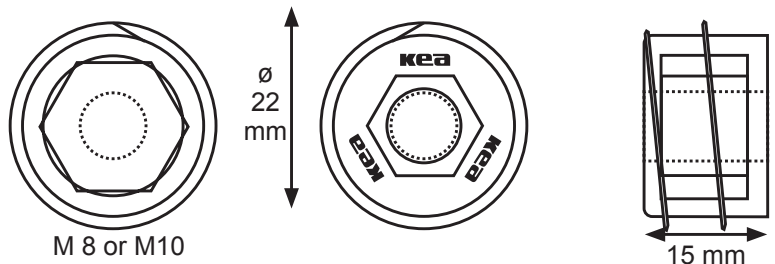


## KEA SCREW-IN BUSHING

w/ SPRING-LOADED INTERNAL THREAD



Material:	Zamak, Plain	
Bore:	Ø22 mm x 15 mm	
Threaded hole:	M8 & M10	
Item No.:	M8	# 11.07.010
	M10	# 11.07.011
Tool for inserting KEA bushings::		
Item No.:	# 11.07.025	



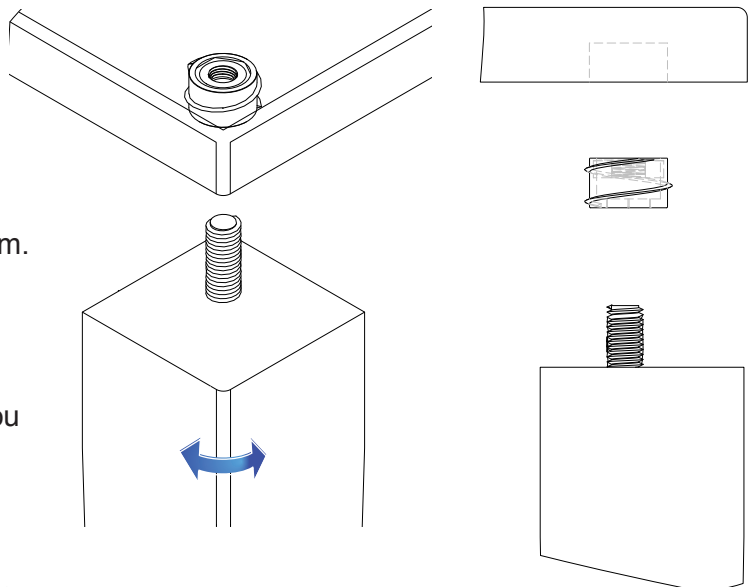
## KEA bushing for tables.

**The perfect solution for coffee and dining tables.**

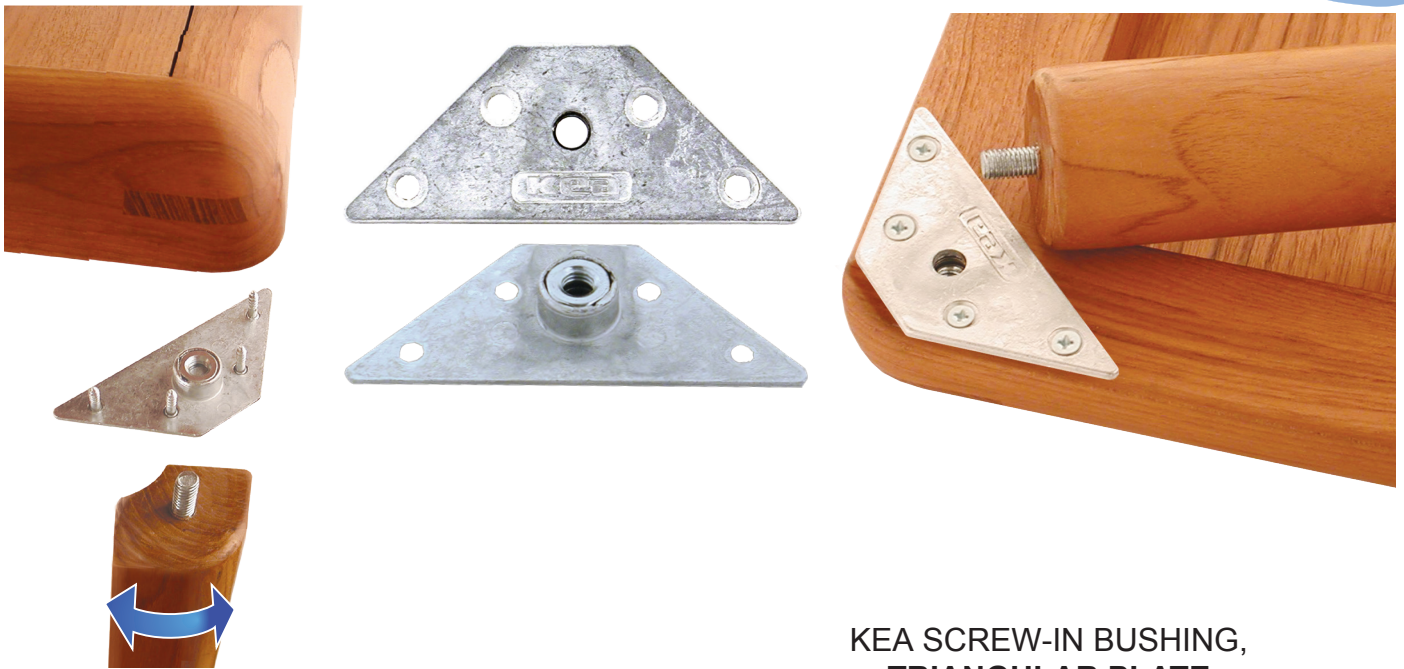
The KEA solution gives you the possibility to tighten and adjust your table leg in any position due to its **patented** internal spring-loaded system.

With a traditional bushing you normally reach a point where you cannot turn in the hangerbolt any further. If you then have a square table leg that has to be flush with the edge of the table you have a problem. Only by heavy force you can try to turn your table leg further and risk that the wood cracks.

This will not happen with the KEA bushing due to its **patented** internal spring-loaded system.

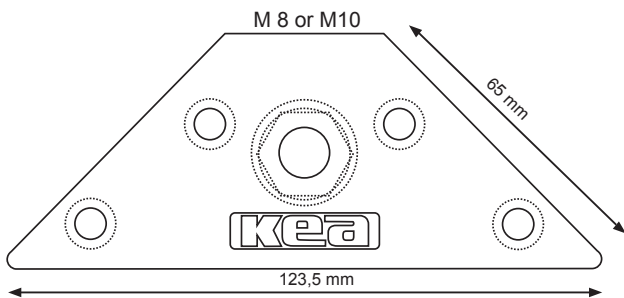
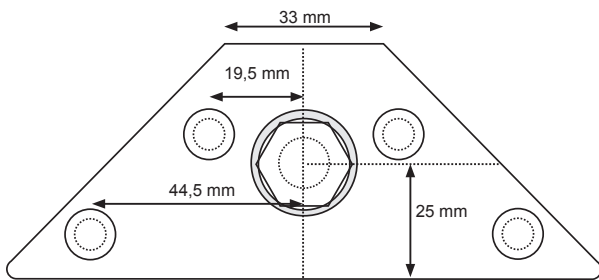




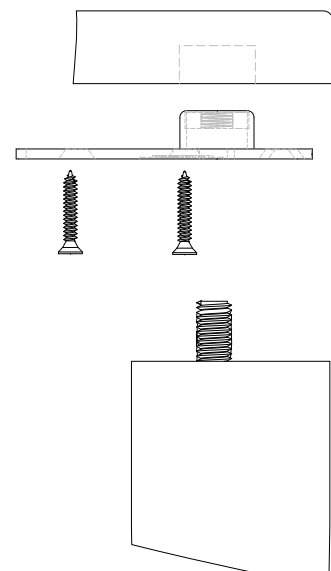
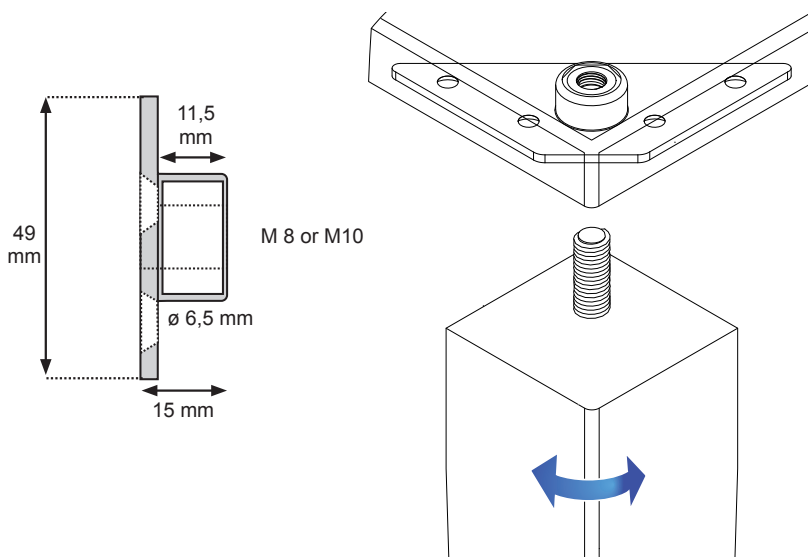


## KEA SCREW-IN BUSHING, TRIANGULAR PLATE w/ SPRING-LOADED INTERNAL THREAD

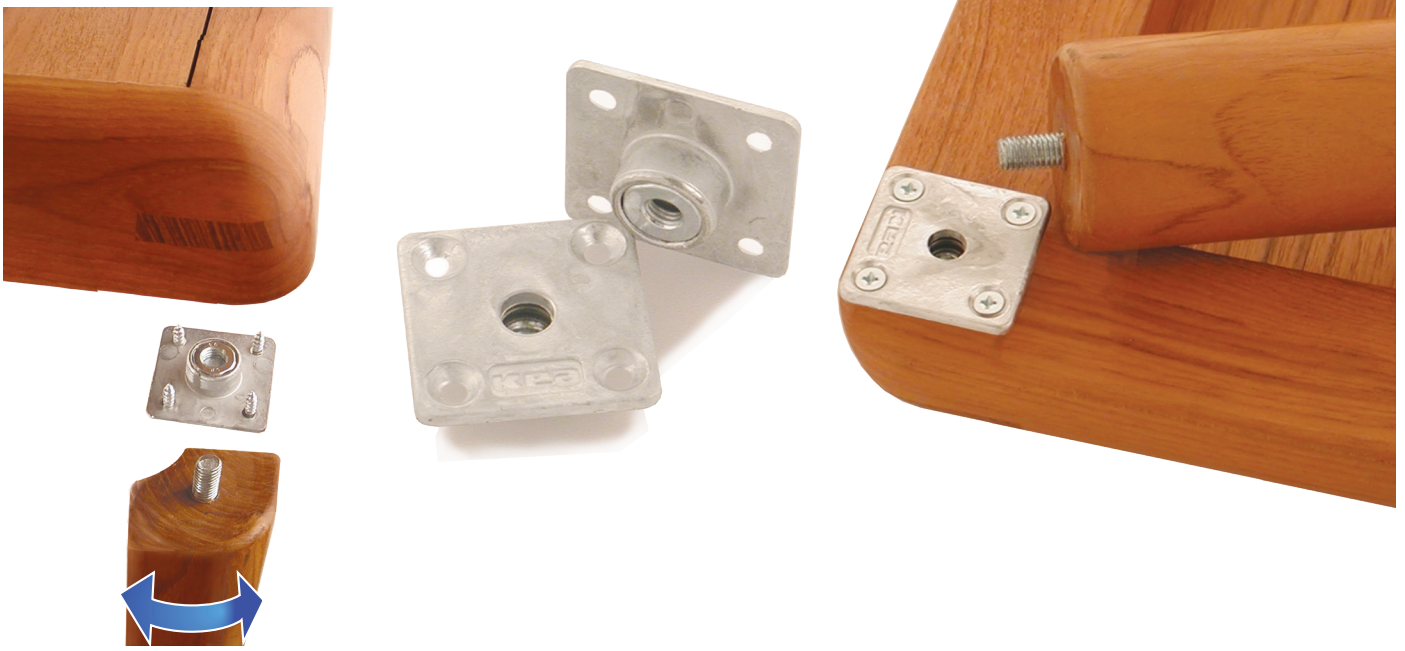
Material:	Zamak, Plain	
Size:	123,5 x 33 x 65 mm	
Threaded hole:	M8 & M10	
Item No.:	M8	# 11.07.015
	M10	# 11.07.016



The triangular KEA has been tested by SP Swedish National Testing and Research Institute and has proven strong even for bed frame use.

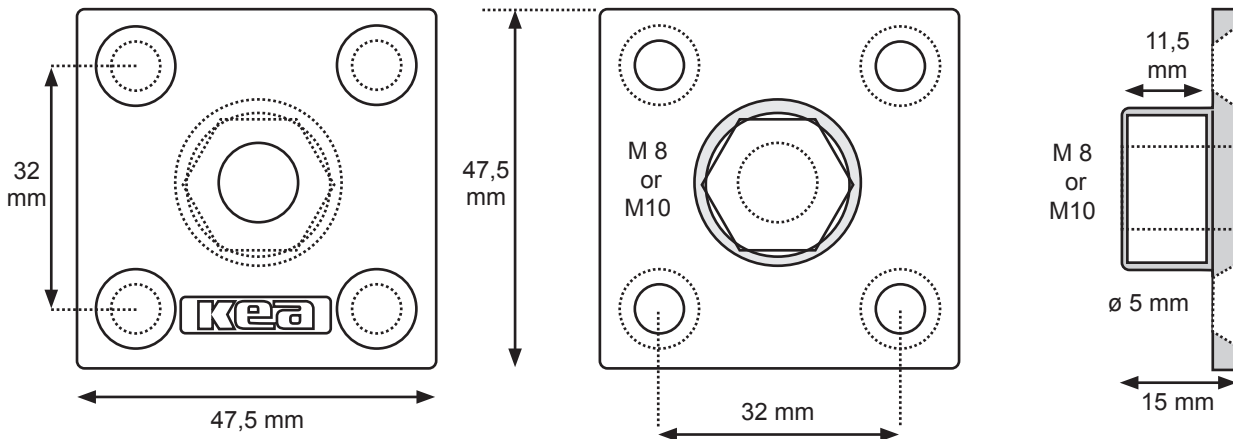
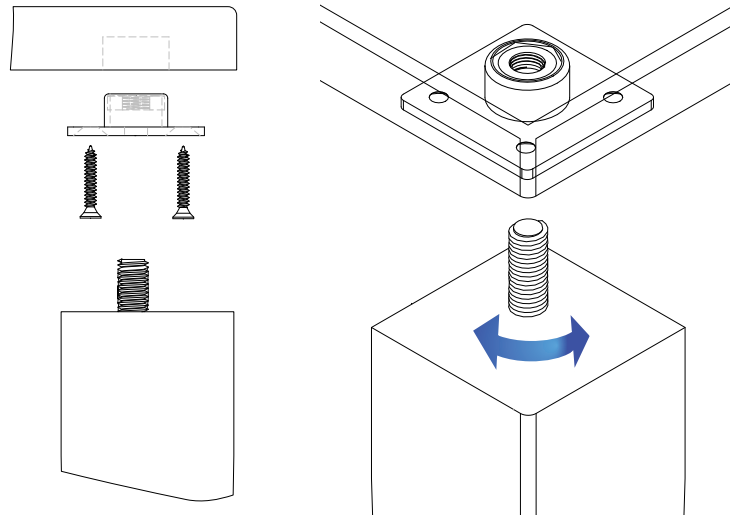


# KEA SCREW-IN BUSHING



## KEA SCREW-IN BUSHING, SQUARE PLATE w/ SPRING-LOADED INTERNAL THREAD

Material:	Zamak, Plain	
Size:	47,5 mm x 47,5 mm	
Threaded hole:	M8 & M10	
Holes:	c/c 32 mm	
Item No.:	M8	# 11.07.001
	M10	# 11.07.002



# KEA SCREW-IN BUSHING

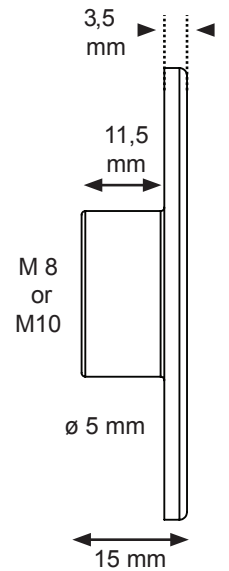
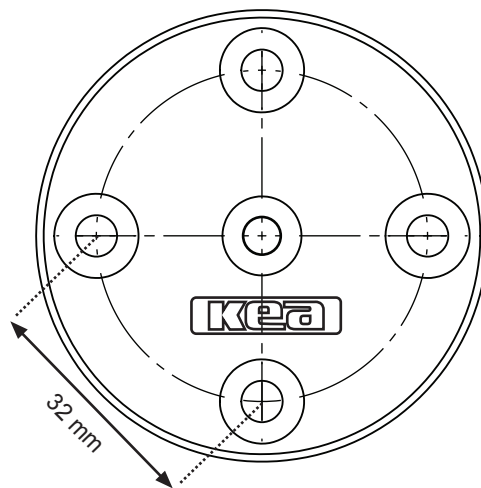
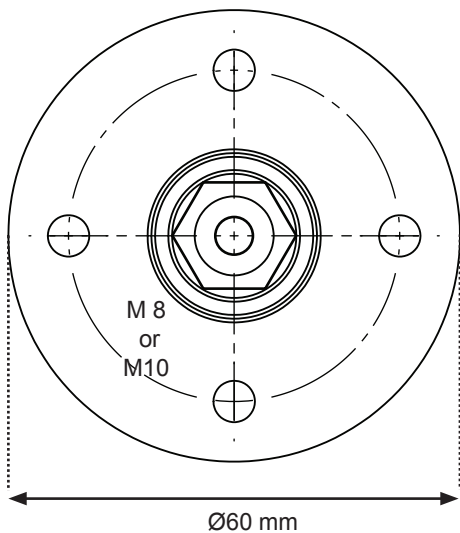
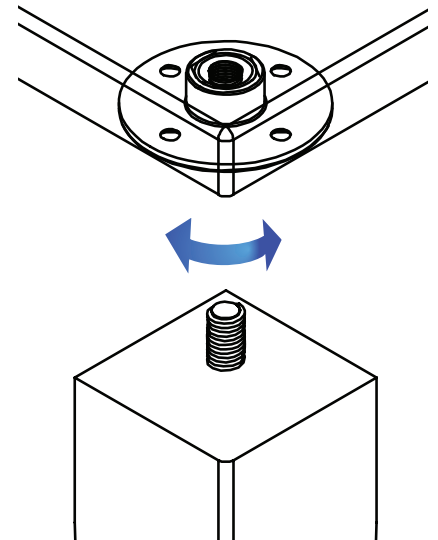
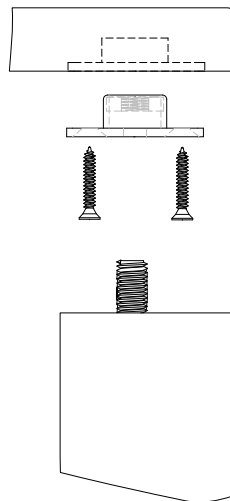
- high quality furniture fittings



## KEA SCREW-IN BUSHING, ROUND PLATE w/ SPRING-LOADED INTERNAL THREAD

Material:	Zamak, Plain	
Size:	Ø60 mm	
Threaded hole:	M8 & M10	
Holes:	c/c 32 mm	
Item No.:	M8	# 11.07.005
	M10	# 11.07.006

Flush mounting for extra strength



# "RIMA" LEG CONNECTOR F/SQUARE LEGS

The "RIMA" leg connector gives you the possibility to tighten and adjust your leg in any position due to its patented internal spring-loaded system.

With a traditional bushing you normally reach a point where you cannot turn in the hangerbolt any further. If you then have a square leg that has to be flush with the edge of the furniture you have a problem. Only by heavy force you can try to turn your leg further and risk that the wood cracks.

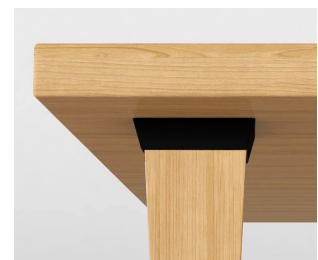
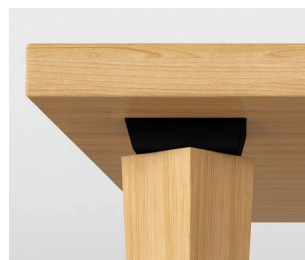
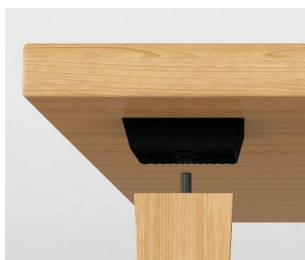
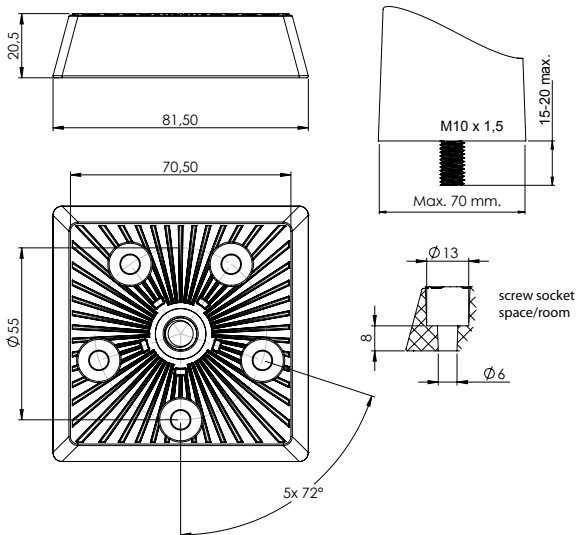
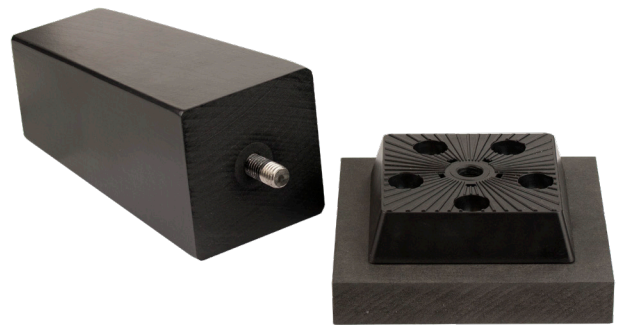
This will not happen with the "RIMA" connector due to its patented internal spring-loaded system.



**PATENTED**

## "RIMA" LEG CONNECTOR

Application:	F/Square Legs W/Spring Tension
Material:	Black PC/ABS
Size:	81,5 x 20,5 mm
Max. Leg size:	70 x 70 mm , F/M10 bolt
Panel thickness:	From 10 mm
Item No.:	# 06.11.140



Tighten and adjust the leg to correct position without cracking the wood



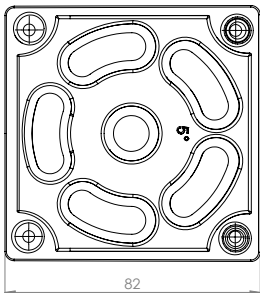
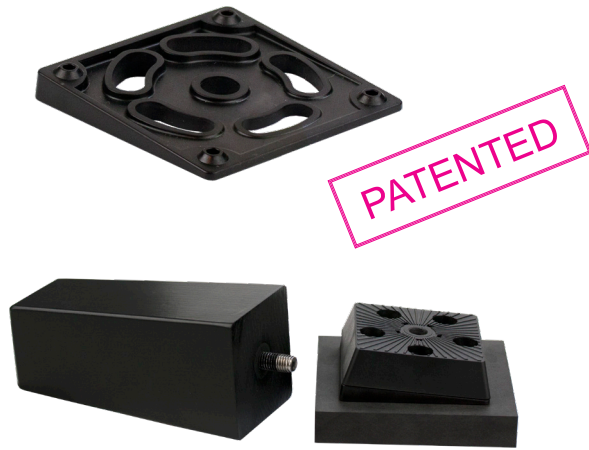
# ANGLE WEDGE F/"RIMA" LEG CONNECTOR

- high quality furniture fittings



## ANGLE WEDGE FOR "RIMA" LEG CONNECTOR

Feature:	Adjustable in 3 steps from 0 to 10 degrees.
Material:	Black PC/ABS
Size:	81,5 x 20,5 mm, 5° angle
Item No.:	# 06.11.145



### How to change the angle and direction

<p>5° angle by use of one wedge</p>		
<p>10° angle by use of two wedges</p>		
<p>7° angle and change of direction by use of two wedges</p>		

# TWISTER - THE LEG CONNECTOR



## TWISTER - LEG CONNECTOR

The "Twister" leg connector is designed for installing a leg in any position from 0 – 20 degrees – one way, simply by twisting the leg tightly onto the connector plate.

May be used on tables, cabinets, beds, sofas ect. wherever a leg is needed.

"Twister" gives the possibility to change the design on the furniture whenever there is a demand. Furthermore it may be used as a height adjuster/leveller in case of uneven floors.

Adjustable up to 40mm when changing the angle from 0 – 20 degrees. "Twister" is designed for maximum leg diameter of 50mm and M8 bolt.

The round sliding plate and body are made of black reinforced ABS.

The internal part is made of steel.

Danish design by SISO & Jesper Møller Hansen.

Pat. Pending in EU & US.

**Wood top mounting**



(Leg: customer provided)

**Glass top mounting  
w/aluminium disc & UV-glue**

(Leg: customer provided)



# TWISTER - THE LEG CONNECTOR

- high quality furniture fittings

**SISO** DENMARK

## WOOD TOP MOUNTING

Material: Reinforced ABS & steel

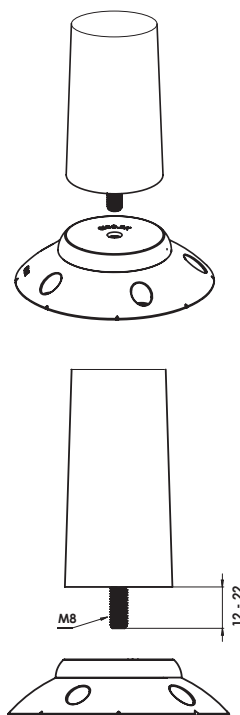
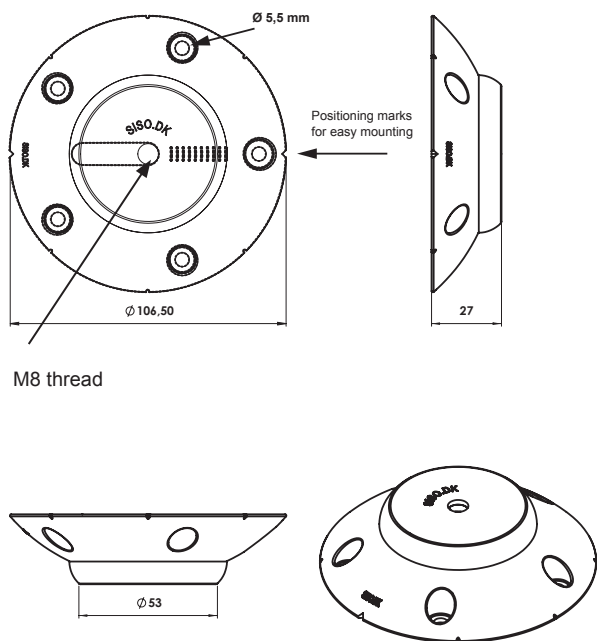
Total size: Ø 106,5 x 27 mm

Screw holes: Ø 5,5 mm

Item No.: 06.11.100

Packing: 1 pce pr. inner box

Screws and hangerbolt to be bought separately.



## GLASS TOP MOUNTING W/ALUMINIUM DISC & UV-GLUE

For glass top mounting by use of Twister connector combined with an aluminum disc.

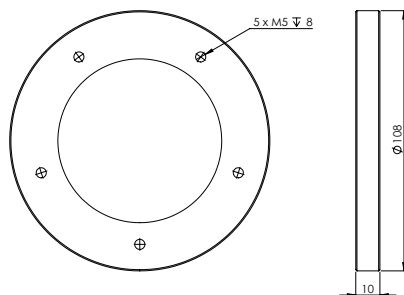
Material: Aluminium

Size: Ø 108 x 10 mm, For screws M5 x 8mm

Item No.: # 06.11.121

Fixing screws and Twister connector to be ordered separately.

The aluminium disc is glued to the glass by use of Bohle UV-Glue B 682-0. UV-lamp is needed.



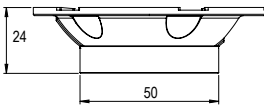
# MINI TWISTER - THE LEG CONNECTOR

Ideal for chairs, beds, sofas and coffee tables.

Material: SS304  
 Total size: Ø 85 x 24 mm  
 Screw holes: Ø 5,5 mm  
 Item No.: 06.11.200, Black  
 06.11.201, Raw  
 Packing: 1 pce. per inner box  
 Screws and hangerbolt to be bought separately.

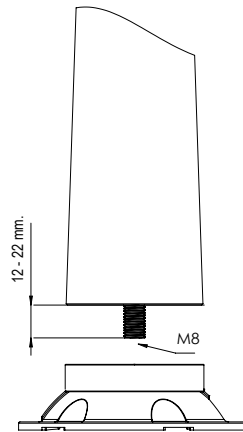
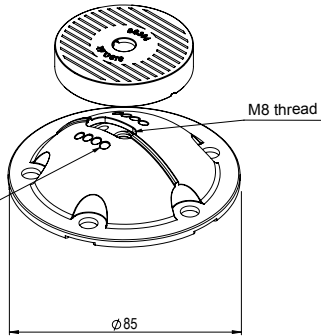


Stainless steel 304,  
Black



Preset positioning spots to insure correct adjustment and strength

- 0°
- 6,50°
- 13,50°
- 20°



A



B



C

X = 0°, 6,5°, 13,5°, 20°



D

**PATENTED**



Stainless steel 304,  
RAW



(Leg: customer provided)



# "TWIST 'N TURN" - THE LEG CONNECTOR

- high quality furniture fittings



## "TWIST 'N TURN" - THE LEG CONNECTOR

Ideal for tables, cabinets, beds, sofas, coffee tables ect.

Feature: Adjustable in 5 steps from 0 to 15 degrees

Material: PA6 – re-inforced with glass fibre

Size: Ø 79,5 x 20 mm

Screw holes: Ø 6,2 mm

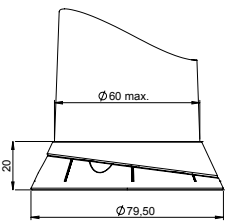
Item No.: # 06.11.130

Packing: 1 pce. per inner box

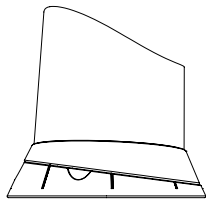
Screws and hangerbolt to be bought separately



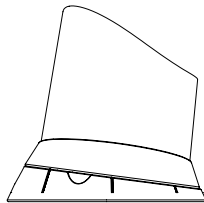
0 degrees



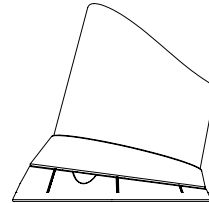
5,5 degrees



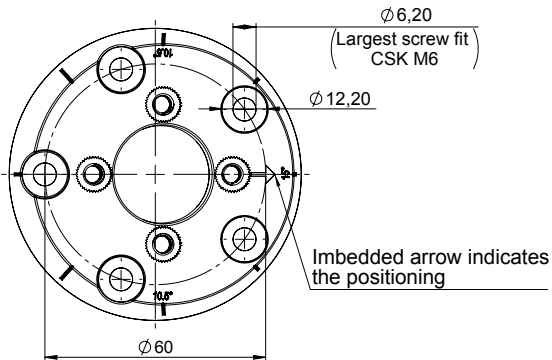
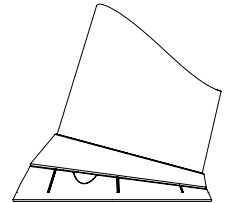
10,5 degrees



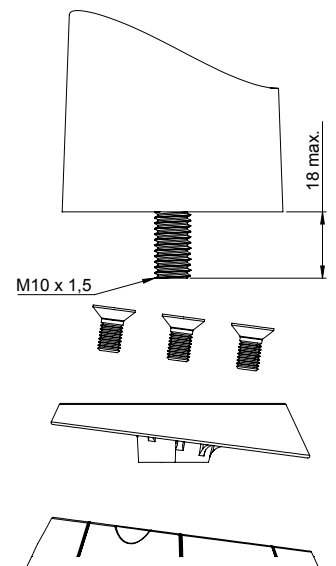
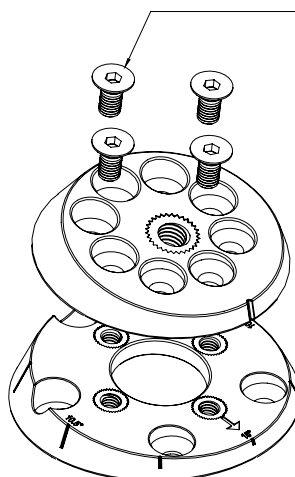
13,5 degrees



15 degrees



The 4 illustrated screws are included. Used to set the desired bracket angle before installing the leg



**PATENTED**

The folding leg connector "Curly" gives you the possibility of transforming your dining table into a coffee table, simply by pushing the activator button and folding the legs. Ideal for apartments with limited space.

May be used on classic folding tables as well. Ideal for hotels, cafés, restaurants, public halls, banks, bars & meeting rooms.

Has been tested at Danish Technological Institute according to EN 15372:2016 - Level 2.

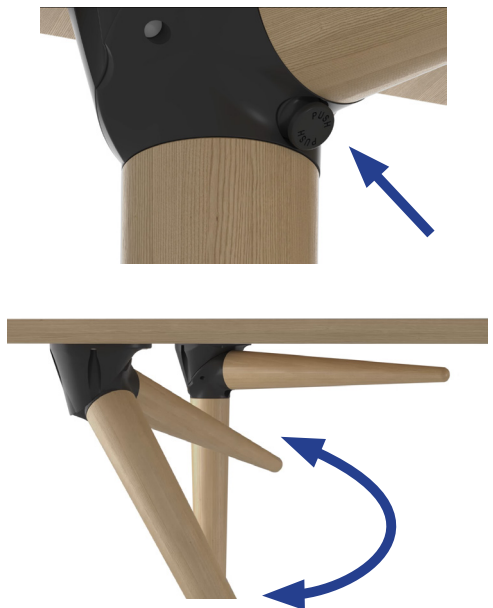
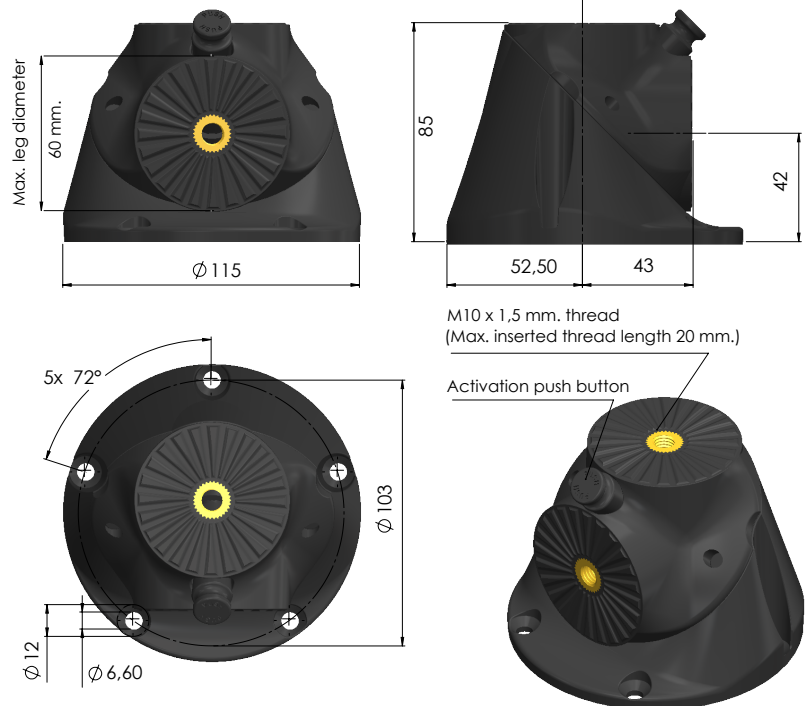
Danish design by SISO A/S.



**PATENTED**

## "CURLY" MULTIFUNCTIONAL LEG BRACKET

Material:	Black PC/ABS
Size:	Ø115 x 85 mm
Max leg diam.:	Ø60 mm, F/M10 bolt
Item No.:	# 06.11.050



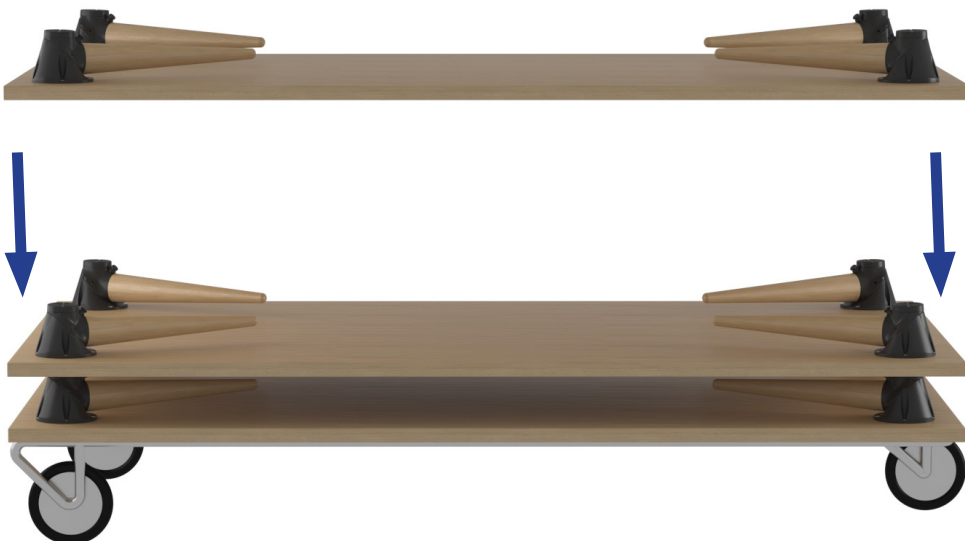
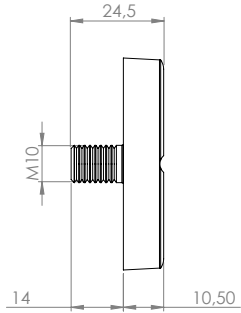
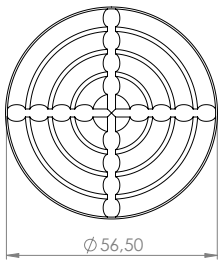
# STACKING BUMPER FOR "CURLY"

- high quality furniture fittings



## STACKING BUMPER F/"CURLY"

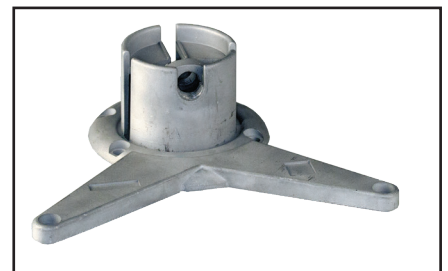
Material:	Black Silicon
Size:	Ø56 x 10,5 mm
Thread:	M10 x 14 mm
Item No.:	# 06.11.055



# TABLE METAL LEGS W/HEIGHT ADJUSTER

## TABLE METAL LEGS Ø 60 X 710 MM W/HEIGHT ADJUSTER

Material:	Tube:	0,8 mm steel.
	Mounting plate:	Aluminium diecast.
	Adjustment foot:	Black plastic.
Size:		Ø60 x 710 mm.
Height adjustment:		0-25 mm.
Black painted		# 06.10.020
Chrome plated		# 06.10.022
Silver RAL 9006		# 06.10.023
SS-look (brushed nickel)		# 06.10.024
Packing:		1 set = 4 legs per box.
Other colors and sizes on request.		

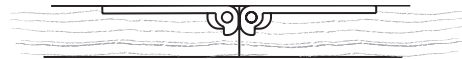
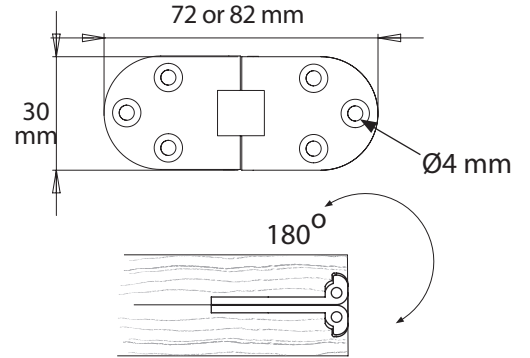




## SEWING MACHINE TABLE HINGE

Material: Brass  
Screw Holes: Ø 4.0 mm

Sizes	Finish	Item. No
30 x 72 x 2.0 mm	Brass Sanded	# 15.11.350
30 x 72 x 2.0 mm	SS-Look	# 15.11.355
30 x 72 x 2.0 mm	Bronzed	# 15.11.370
30 x 80 x 2.0 mm	Brass Sanded	# 15.11.310

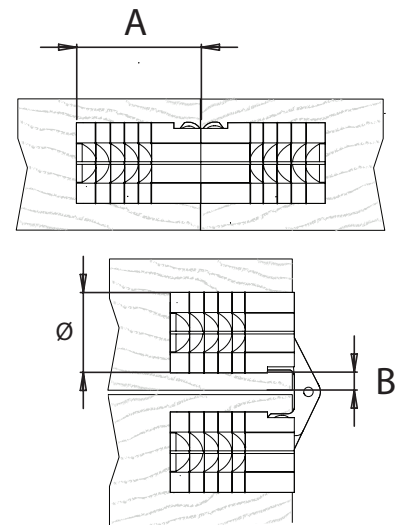
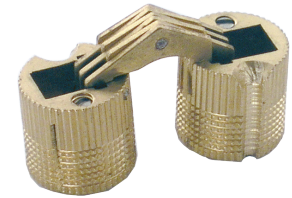


## BRASS CYLINDER HINGE w/ SS PIN & SCREWS

Material: Body and Linkage: Brass  
Pin and Screws: Stainless Steel (SS)  
Finish: Brass Natural

Sizes	Item No	A*	B*
Ø10 mm	# 15.07.345	11,0 mm	2,0 mm
Ø12 mm	# 15.07.346	13,5 mm	2,2 mm
Ø14 mm	# 15.07.347	15,5 mm	3,0 mm
Ø16 mm	# 15.07.348	16,5 mm	3,0 mm
Ø18 mm	# 15.07.349	17,5 mm	3,0 mm
Ø24 mm	# 15.07.350	25,0 mm	4,5 mm

\* See illustration A and B for measurement

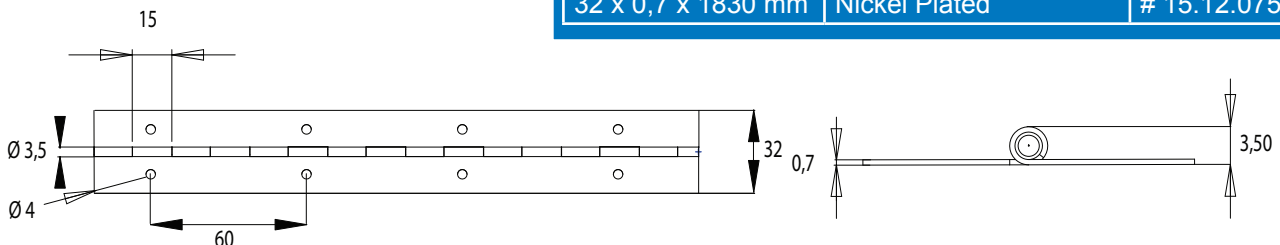


## PIANO HINGE



Material: Steel  
Screw hole: Ø4 mm - c/c 60 mm

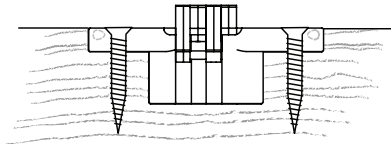
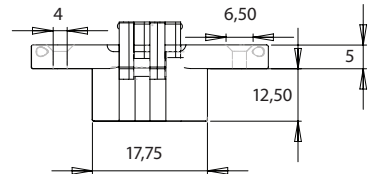
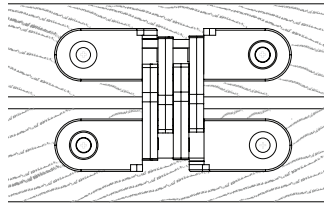
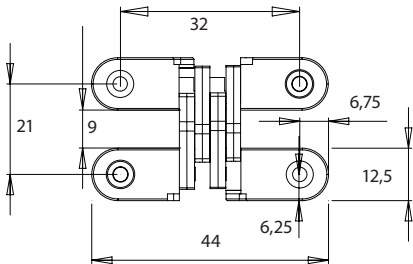
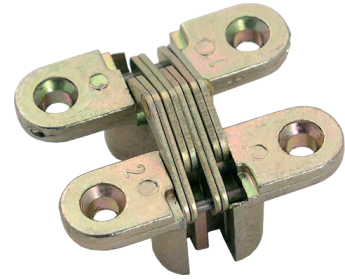
Size	Finish	Item No.
32 x 0,7 x 1830 mm	Brass Plated Lacquered	# 15.12.076
32 x 0,7 x 1830 mm	Nickel Plated	# 15.12.075



## VICI HINGE - ZAMAK w/ STEEL LINKAGE - 180°

Material Body: Zamak  
 Linkage: Steel  
 Finish: Yellow Zinc Plated (YZP)  
 Size: 44 x 12,5 mm  
 Screw Hole: Ø4 mm - c/c 32 mm  
 Item No.: # 15.07.115

Other sizes and finishes on request



## VICI HINGE - ZAMAK w/ SS LINKAGE - 180°

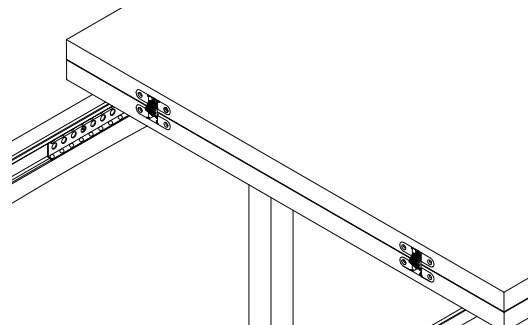
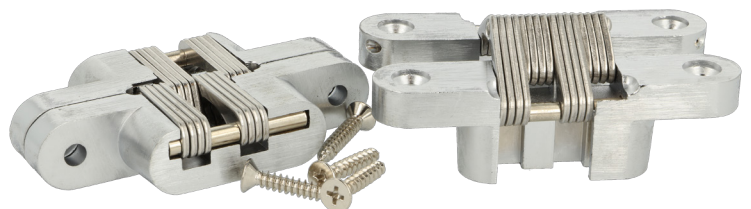
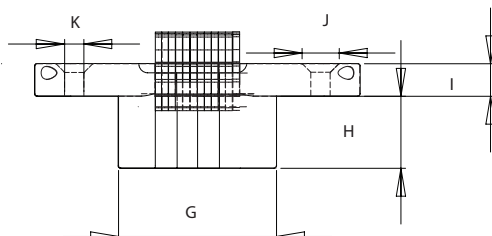
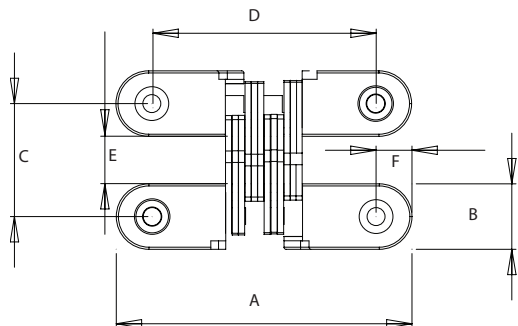
Material Body: Zamak  
 Linkage: Stainless Steel (SS)  
 Finish: Body: Stainless Steel look- Brushed  
 Linkage: Plain

Incl. 4 CSK chip board screws

\*All measurements in mm

A	B*	C*	D*	E*	F	G	H*	I	J	K	Item No.
45 mm	13	20,5	31,6	8	6,7	18,8	12	5	6,6	4	15.07.120
60 mm	13	21,5	47,2	9	6,5	32	12	6	7,7	5	15.07.121
70 mm	16	26,5	54	10,5	8	34	15,5	7	8	5	15.07.122
95 mm	19	32	75	13	10	52	17	10	10	6	15.07.123

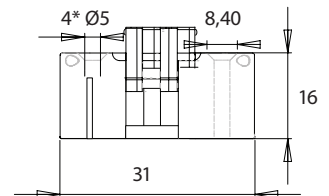
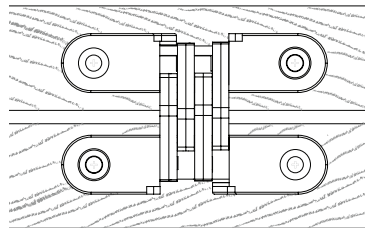
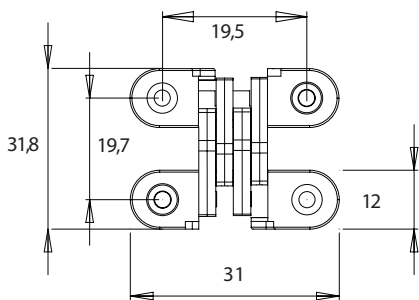
\* tolerance ± 0,3





## OVAL HINGE "NYLON" W/STEEL LINKAGE

Material:	Body:	Nylon, Brown
	Linkage:	Steel
	Finish:	Yellow Zinc Plated (YZP)
	Size:	12 x 31 x 16 mm
	Screw Hole:	Ø5 mm
Item No.:	# 15.07.160	



## ELU TABLE HINGE 180°



Material: Steel, Yellow Zinc Plated (YZP)  
 Over all Size: 85 mm x 46 mm

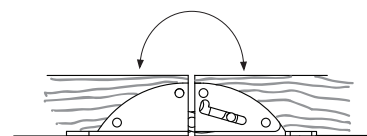
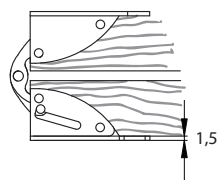
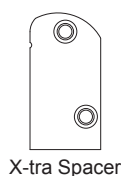
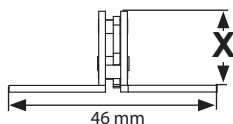
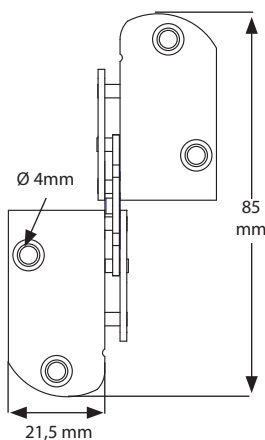
Panel Size X	Item No.	Panel Size X	Item No.
16 mm	# 15.80.110	18 mm	# 15.80.120
22 mm	# 15.80.140	25 mm	# 15.80.155
30 mm	# 15.80.170		

Spacer For Panel Thickness Reduction = SFPTR\*

SFPTR*	Item No.	SFPTR*	Item No.
1 mm	# 15.80.000	2 mm	# 15.80.001

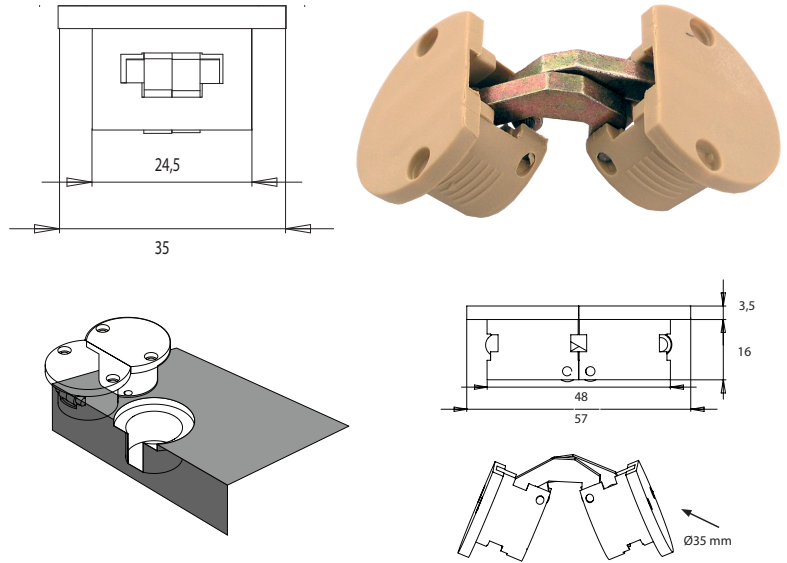
The Spacer gives you the possibility to operate with only one hinge size even though you use different panel thicknesses in your production.

Example given: Take a Hinge for 18 mm panel thicknesses and add a 2 mm spacer. Now you can use the hinge for 16 mm panel thickness.



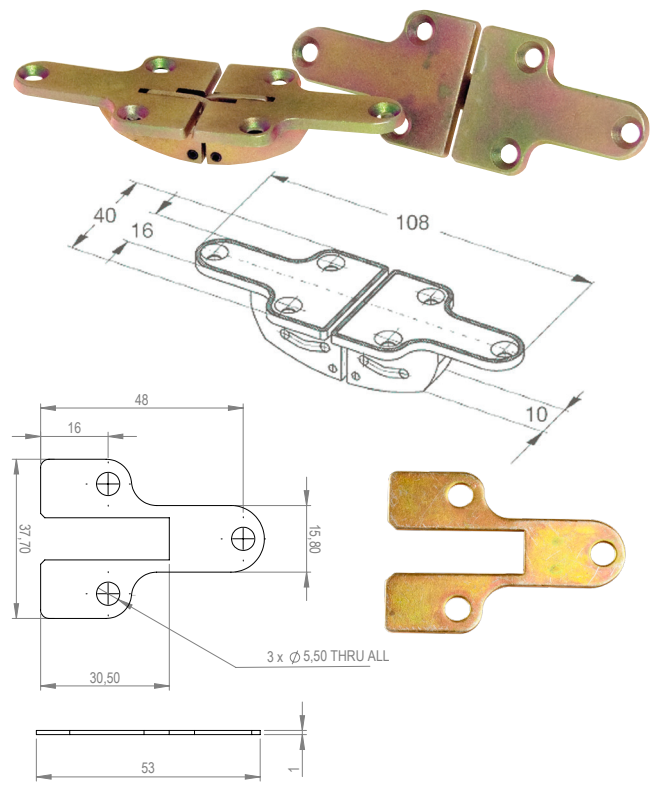
**TABLE FLAP HINGE**  
- f/ 22 mm PANEL - 180°

Material:		
Body:	Nylon	
Linkage:	Zamak	
Bore Size: Ø35 mm and Ø25 mm		
Hole Depth: 19 mm		
Finish		
Body:	Linkage:	Item No.
Beige	Yellow Zinc	# 15.80.200
Black	Black Zinc	# 15.80.201



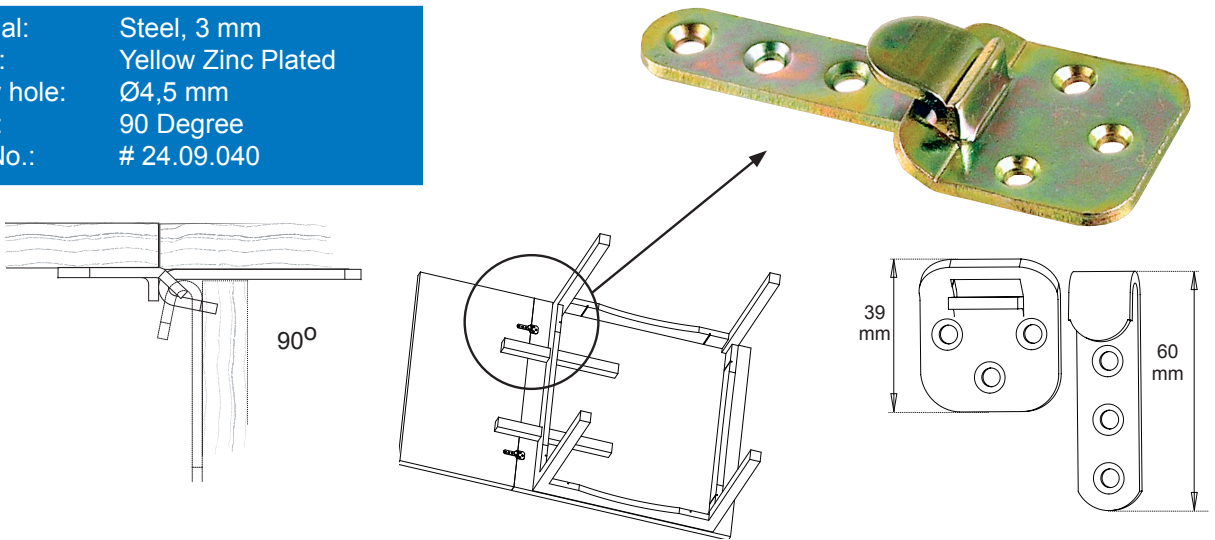
**TABLE FLAP HINGE "ZAMAK"**

Material:	Body:	Zamak, Yellow Zinc Plated
	Linkage:	Steel, Yellow Zinc Plated
Over all size:	108 x 40 x 3 mm	
Panel size:	20 mm	# 15.80.175
Panel size:	27 mm	# 15.80.180
<b>Spacer For Panel Thickness Reduction</b>		
1 mm Steel, Yellow Zinc Plated # 15.80.185		



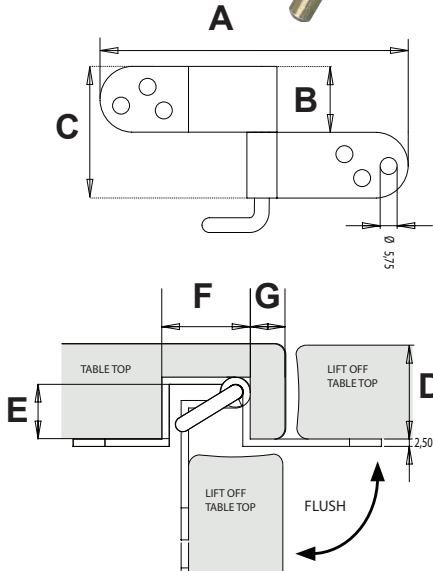
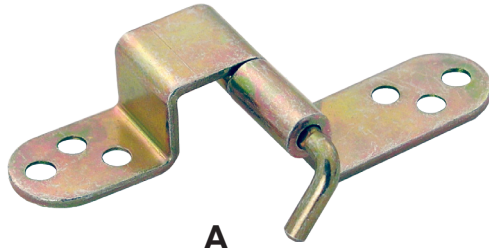
**LIFT OFF HINGE**  
- w/ STOP FOR TABLE LEAVES

Material:	Steel, 3 mm
Finish:	Yellow Zinc Plated
Screw hole:	Ø4,5 mm
Angle:	90 Degree
Item No.:	# 24.09.040





## FLUSH LEAF TABLE HINGE

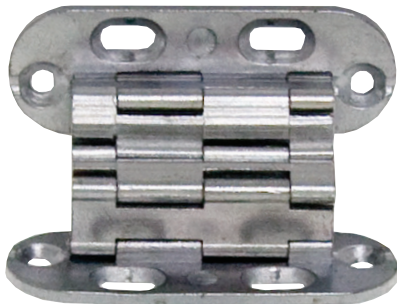


Material: Steel, 2,5 mm  
 Finish: Yellow Zinc Plated (YZP)  
 Screw hole:  $\varnothing$  5 mm

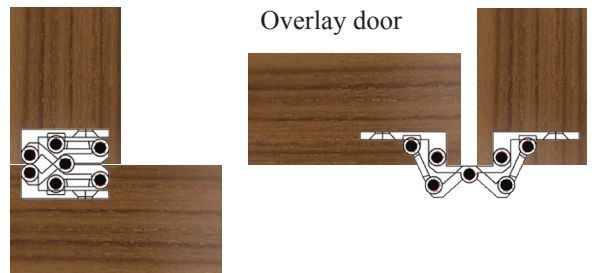
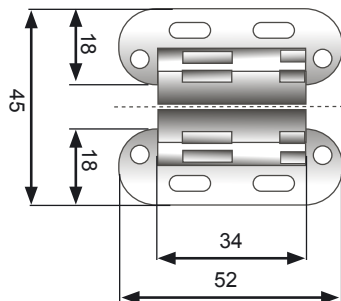
A	B	C	D	Item No.
100 mm	22 mm	44 mm	25-28 mm	# 24.09.080
100 mm	25 mm	50 mm	29-32 mm	# 24.09.090
110 mm	30 mm	60 mm	33-36 mm	# 24.09.100
110 mm	35 mm	70 mm	37-40 mm	# 24.09.110

E	F	G	Item No.
19 mm	25 mm	0,5 x D - 5 mm	# 24.09.080
21 mm	25 mm	0,5 x D - 5 mm	# 24.09.090
23 mm	30 mm	0,5 x D - 5 mm	# 24.09.100
25 mm	30 mm	0,5 x D - 5 mm	# 24.09.110

## SEPA HINGE 180°



Material: Zamak  
 Panel thickness: Min. 26 mm  
 Size: 52 x 18 x 2 mm  
 Item No. # 15.04.076

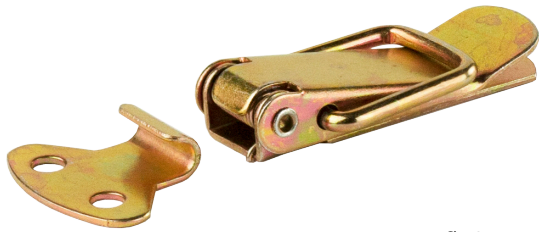


Inset door

Table leaves

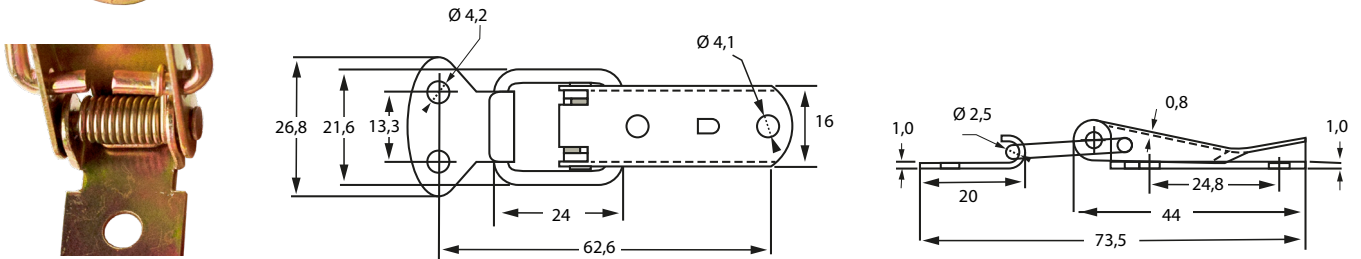
## TABLE CONNECTOR & CATCHES

### TABLE CATCH "SPRING"



Material: Steel, Yellow Zinc Plated  
 Overall size: 44 x 16 x 1 mm  
 Screw hole: Ø4

Item No: # 24.03.042

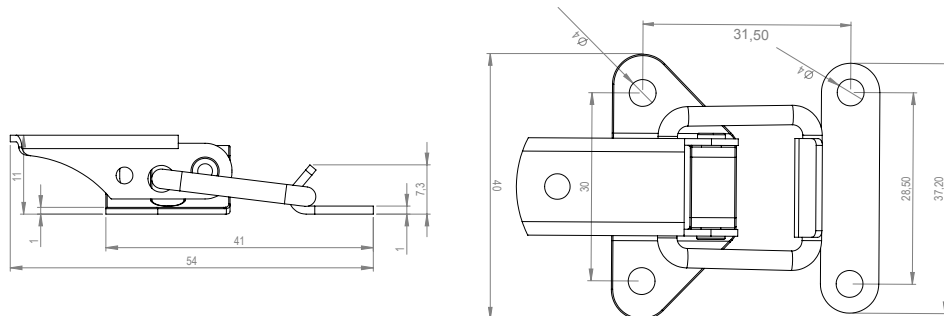


### TABLE CATCH "MINI"



Material: Steel, Yellow Zinc Plated  
 Overall size: 54 x 40 x 1 mm  
 Screw hole: Ø4

Item No: # 24.03.041



### LINKIT - THE DESK TOP CONNECTOR

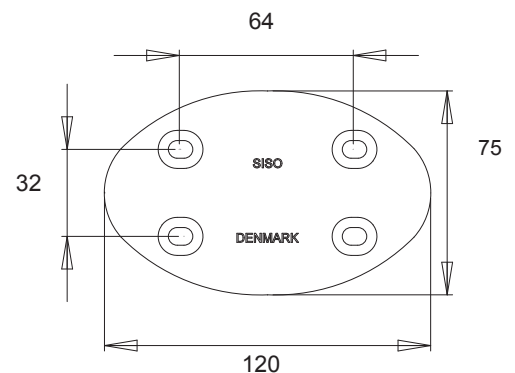
Material: Zamak  
 Finish: Anthracite (Dark Grey)  
 Size: 75 x 120 mm - c/c 32 & 64 mm  
 Screw hole: Ø4,5 mm with 6 mm horizontal adjustment  
 Item No: # 24.03.090

Design registered in:  
 USA, UK, Germany, Australia and New Zealand

Fixation:

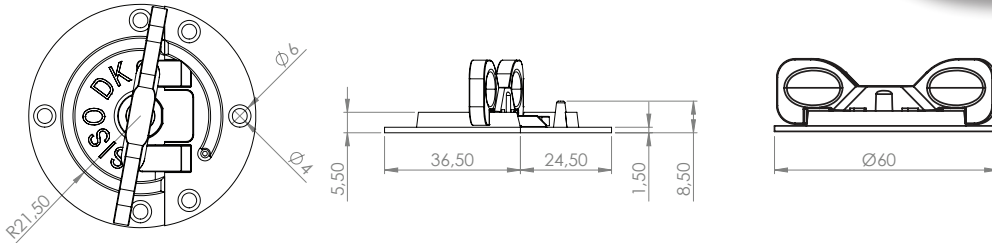
Screw-in Bushing D-613 Item No.: # 12.10.191

Raised Dome Head Screw - PZD Item No.: # 12.06.830



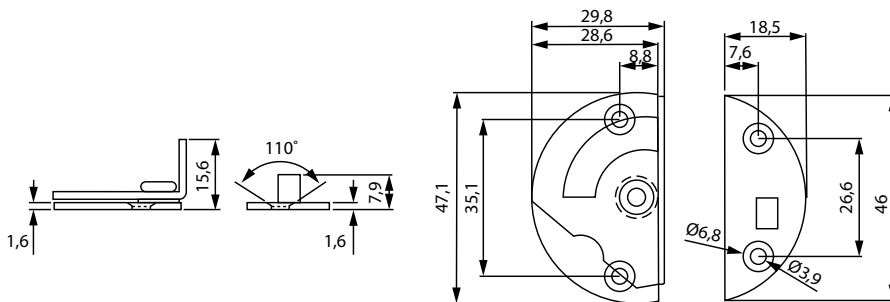
## CIRCULAR TABLE SPANNER

Material: Zamak, 1,5 mm  
 Screw hole: Ø4 mm  
 Diameter: Ø60 mm  
 Item No.: Brass Plated # 24.03.070  
 Item No.: Nickel Plated # 24.03.071



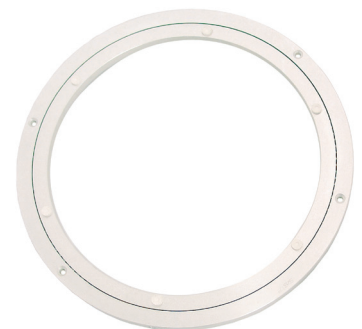
## CIRCULAR TABLE SPANNER, 2003

Material: Steel, 1,6 mm  
 Screw hole: Ø3,9mm  
 Diameter: Ø47 mm  
 Item No.: Brass Polished # 24.03.025

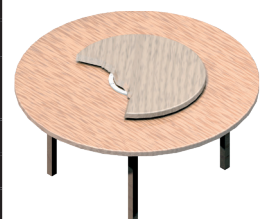


## LAZY SUSAN ALUMINIUM TURNTABLE

Material: Ring: 1<sup>st</sup> grade aluminium, Die Cast  
 Balls: High grade stainless steel (grade 200)  
 Application: 360 Degree easy swivelling, apply to any kind of dining table, TV-stand, computer tables etc.  
 Also perfect for outdoor use when using stainless steel ball bearings.

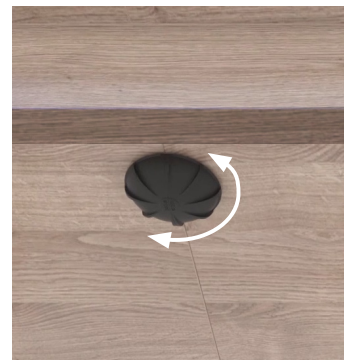


Sizes		Item. No.:	Load Capacity	Top		Bottom	
Outer diameter	Inner diameter			Out	In	Out	In
Ø304 x 12mm	Ø247mm	# 16.15.371	50-70 kg	White rubber Ø10 x 3,3 mm	Ø5,5 mm CSK Holes	Ø5,5 mm CSK Holes	White rubber Ø10 x 3,3 mm
Ø401 x 12mm	Ø338mm	# 16.15.382	80-100 kg	6	4	4	6
Ø600 x 12mm	Ø524mm	# 16.15.395	170-190 kg	8	4	4	8

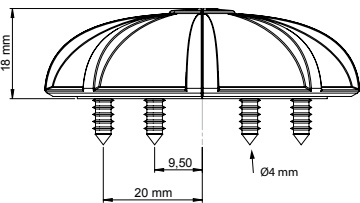


# TABLE SPANNER "TURTLE"

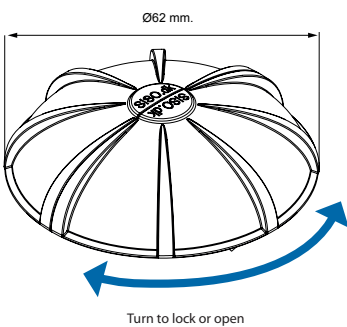
DESIGN REGISTERED IN EU



## TABLE SPANNER "TURTLE"



Notice:  
The tension offered by the two wings when travelling secures table top levelling



Ideal for connecting wooden tops or panels by simply turning the lids clockwise.

Material: PA6 – GF

Size: Ø62 x 18 mm.

Screw holes: Ø4mm, counter sunk

Item No. # 24.03.075

Male + Female: # 24.03.075

Drilling Jig Plastic, white # 24.03.078-5





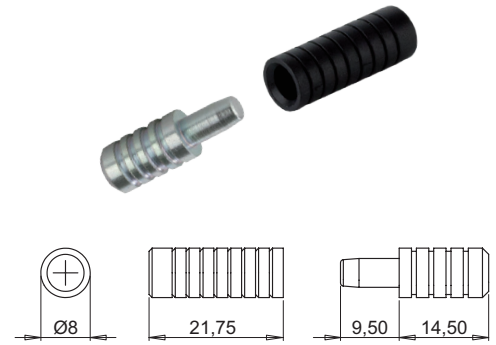
## LOCATING PIN "SMAG"

**Application:**

Locating pin with integrated hold function. Ideal for connecting table tops, without using a classic table catch.

**Material:** Steel & plastic  
**Size:** Ø8 x 36,30 mm  
**Finish:** Yellow zinc plated & black

**Item No.:** Female # 11.06.865  
 Male # 11.06.866



## LOCATING PINS

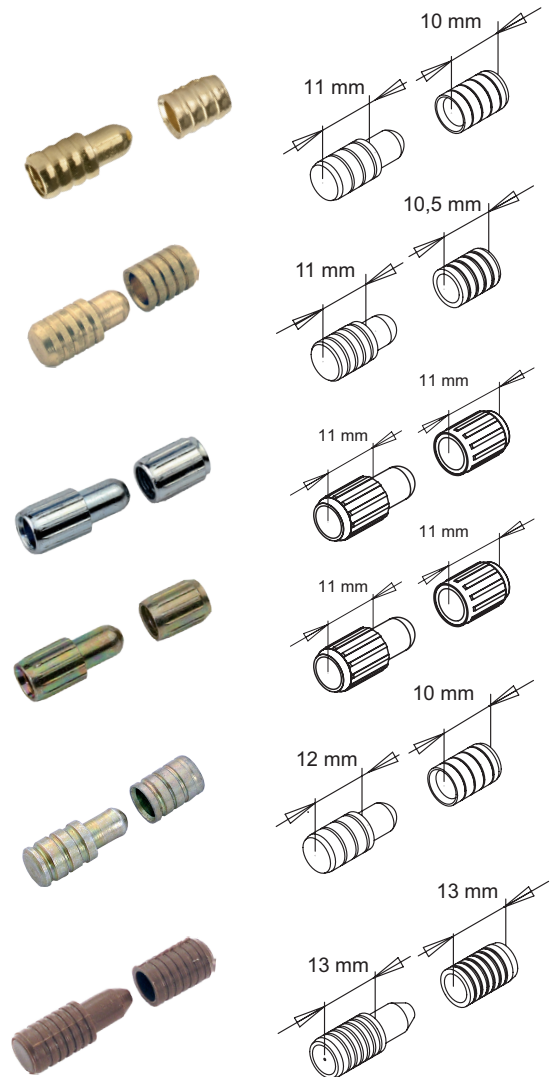
**Material:** Zamak  
**Size:** Ø8 x 21 mm  
**Finish:** Yellow Zinc 2-3 Micron  
**Item No.:** Male & Female # 11.06.870

**Material:** Brass  
**Size:** Ø8 x 21,5 mm  
**Finish:** Natural  
**Item No.:** Male # 11.06.855  
 Female # 11.06.856

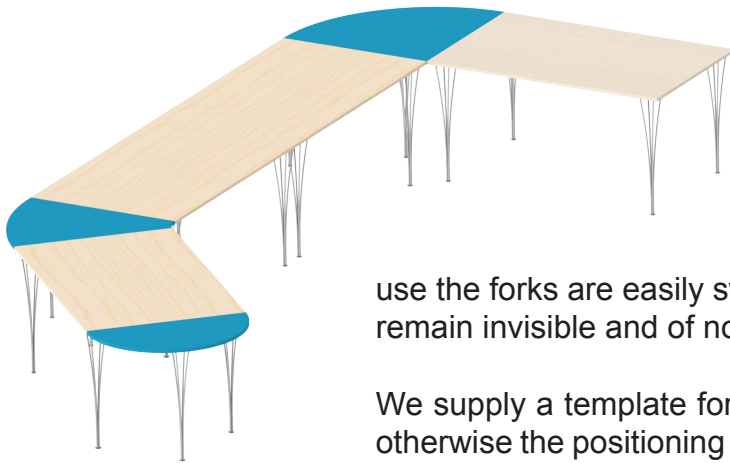
**Material:** Steel  
**Size:** Ø8 x 22 mm  
**Finish:** Yellow Zinc 12 Micron or Bright Zinc 3 Micron  
**Item No.:** Male - BZP # 11.06.846  
 Female - BZP # 11.06.845  
 Male - YZP # 11.06.850  
 Female - YZP # 11.06.849

**Material:** Steel  
**Size:** Ø8 x 22 mm  
**Finish:** Yellow Zinc 12 Micron  
**Item No.:** Male & Female # 11.06.851

**Material:** Nylon  
**Size:** Ø8 x 26 mm  
**Finish:** Brown  
**Item No.:** Male # 11.06.890  
 Female # 11.06.891



## Click Catch Innovative patented solution for connecting table and additional table leaves!



The connector consists of a male and female part – a revolving fork and a U-bracket.

Normally two sets of **CLICK CATCH** are mounted under separate table tops to connect a pair of tables by wedging the forks into the U-brackets. When not in use the forks are easily swivelled back under the table top, where they remain invisible and of no obstruction to knees!

We supply a template for the correct location of fastening screws, but otherwise the positioning of the hardware is determined by the furniture manufacturer.

The hardware is manufactured from 3 mm har steel plate, bright zinc or yellow zinc plated. You can furthermore choose between 2 different lengths.

The standard model which is 153 mm long and a longer and even stronger model “XL” which is 201 mm.

The “XL”-model is especially popular for tables with chamfered plates.

We are also prepared to supply extra female parts of the **CLICK CATCH** in case clients want to offer their desks with more than one attachment position.

Originally the **CLICK CATCH** was created for connecting tables, but also modular chairs can be joined into sofas - and single beds into double beds - simply by applying the **CLICK CATCH** !

### CLICK CATCH

**Material:** 3mm Steel plate  
**Finish:** Bright Zinc or Yellow Zinc Plated

#### CLICK CATCH standard version

Bright Zinc Plated: # 24.03.140  
Yellow Zinc Plated: # 24.03.141

#### Female part only

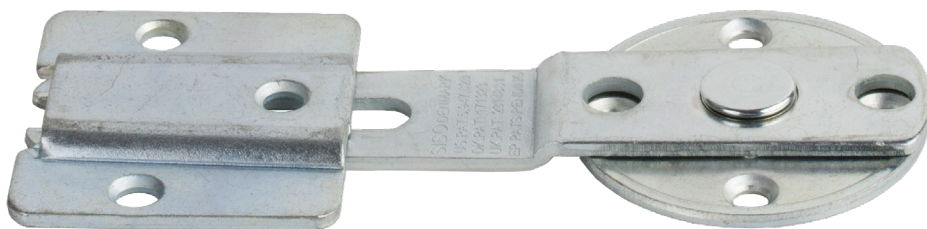
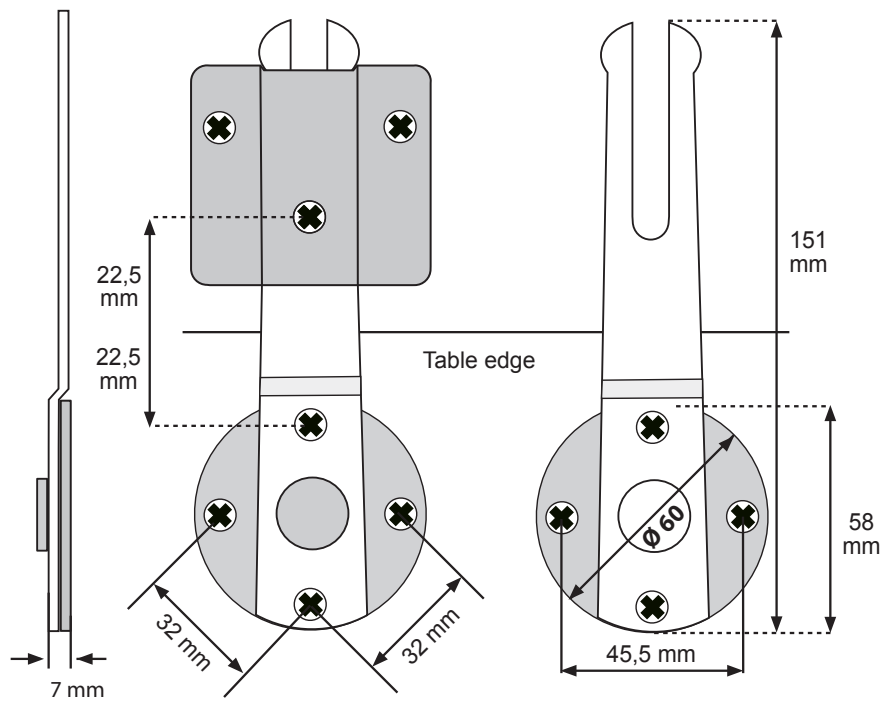
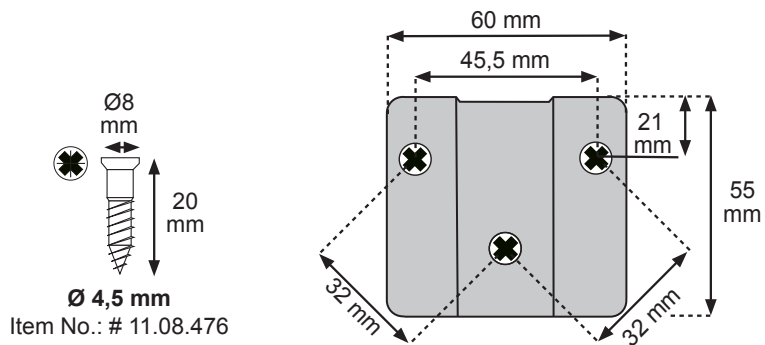
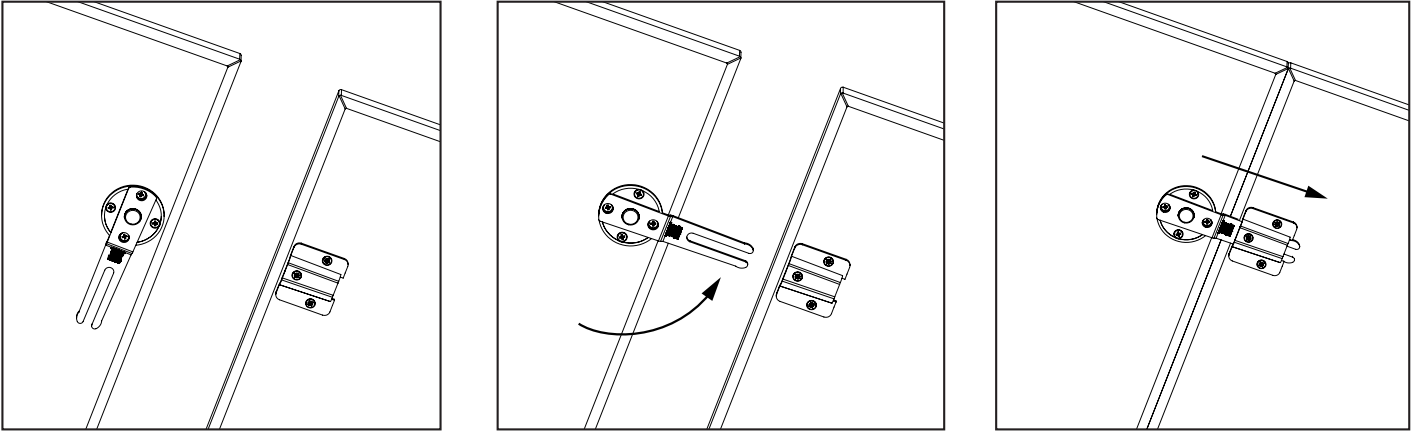
Bright Zinc Plated: # 24.03.130  
Yellow Zinc Plated: # 24.03.131

**Patents:**  
US 5,947,628  
DK 171823  
UK 2314881  
DE 19681404  
EP patent

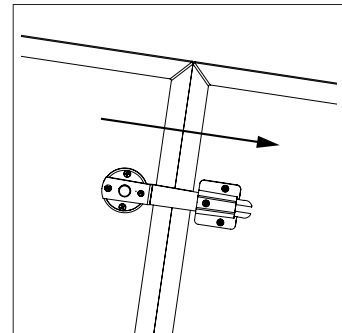
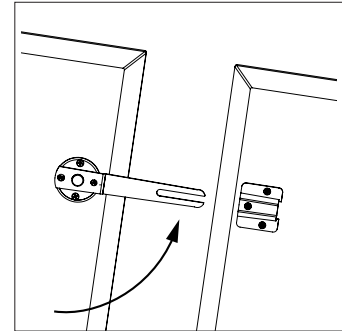
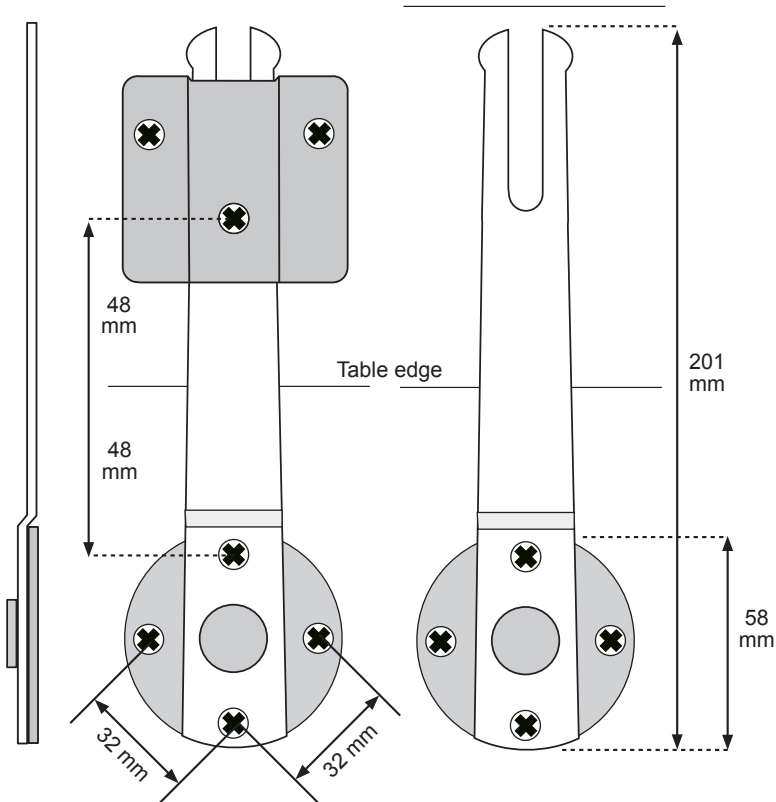
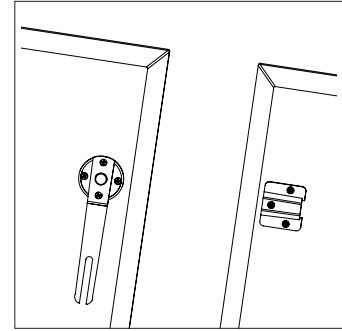
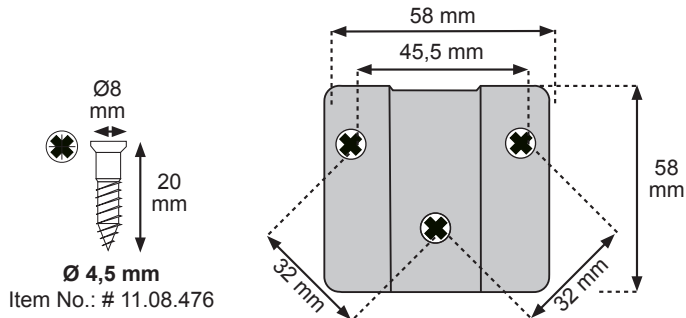
# CLICK CATCH

- high quality furniture fittings

**SISO** DENMARK



# CLICK CATCH »XL«



**CLICK CATCH »XL«**  
Ideal for Tables with chamfered Plates

**Material:** 3 mm steel plate  
**Finish:** Bright Zinc

**Patents:** US 5,947,628 DK 171823  
UK 2314881 DE 19681404  
EP patent

**CLICK CATCH »XL« - version**

**Design:** Jesper Møller Hansen

Bright Zinc Plated: # 24.03.145

**Female part only**

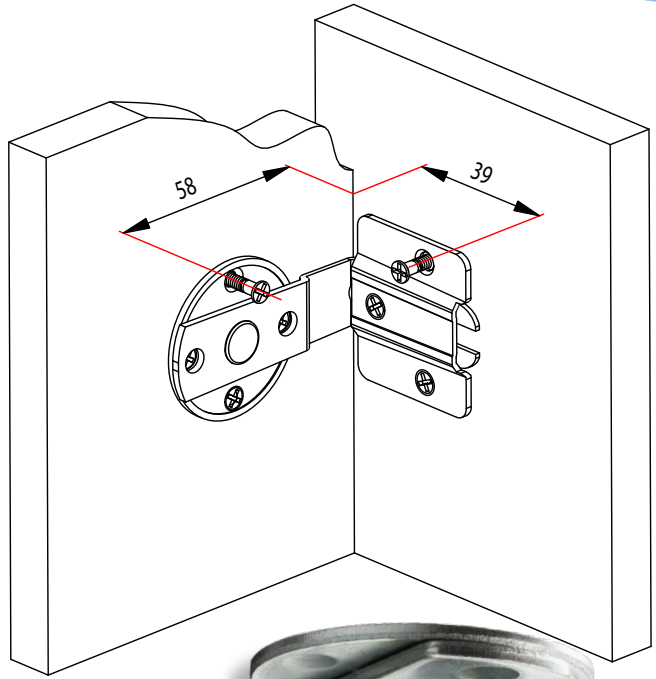
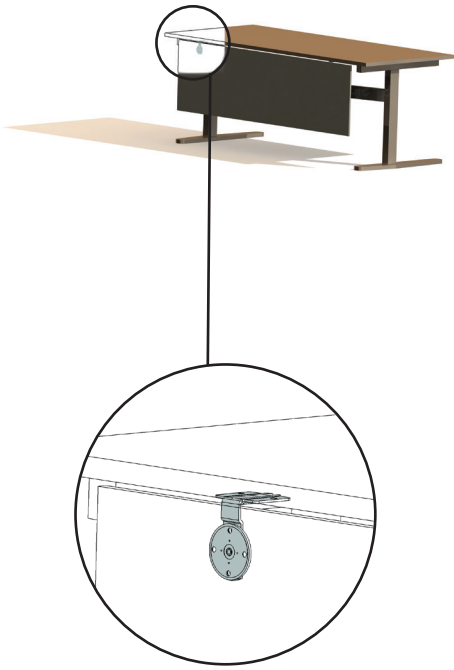
Bright Zinc Plated: # 24.03.130



# CLICK CATCH 90 DEGREE

- high quality furniture fittings

**SISO** DENMARK

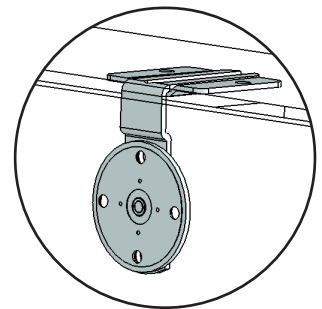
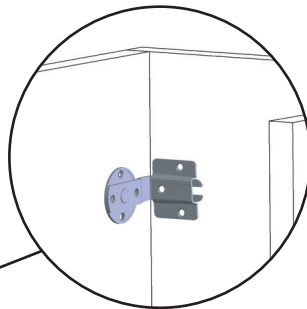


## CLICK CATCH 90 DEGREE

Material: 3 mm Steel plate  
Finish: Bright zinc plated  
Item No.: 24.03.147



**PATENTS**  
US 5,947,628  
DK 171823  
UK 2314881  
DE 19681404  
EP PATENT



# SURF

BREAKING THE TRADITIONS



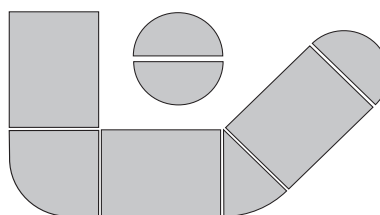
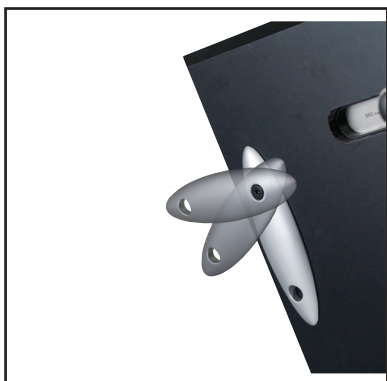
## SURF ZAMAK

A patented solution for connecting tables

The SURF is mounted under the table top to connect tables by sliding the ellipse into the female part. When connected, you lock and tighten the SURF by closing the black plastic locking cap.

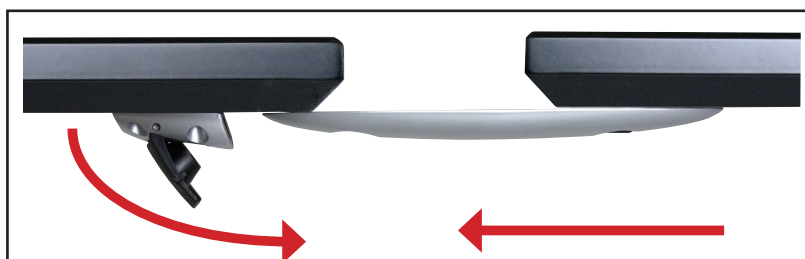
When not in use the ellipse is easily swivelled back under the table top, where it remains invisible and of no obstruction to knees!

The female part, when not in use, works like a spacer for safe stacking of additional table leaves.



1 set consists of a male and a female part made of zamak. Fixation by means of 4 wood screws, a zamak screw-in bushing and a fifteen screw.

1 Male + 1 female - Alu finish	# 24.03.100
Female part only - Alu finish	# 24.03.102
Wood screw Ø4 x 16 mm, BZP	# 15.04.400
Fifteen screw M6 x 25 mm, black	# 12.00.903
Screw-in bushing E-620, zamak M6 x 20 mm, YZP	# 12.10.223

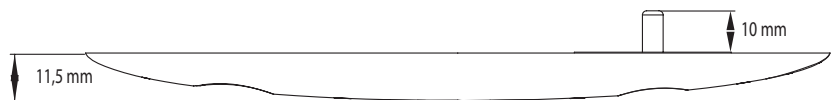
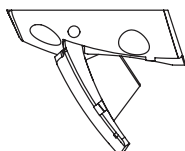
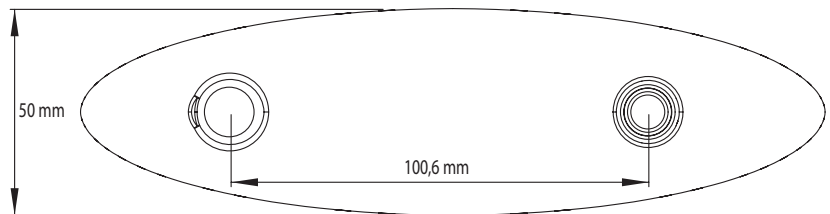
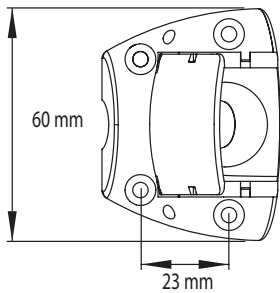
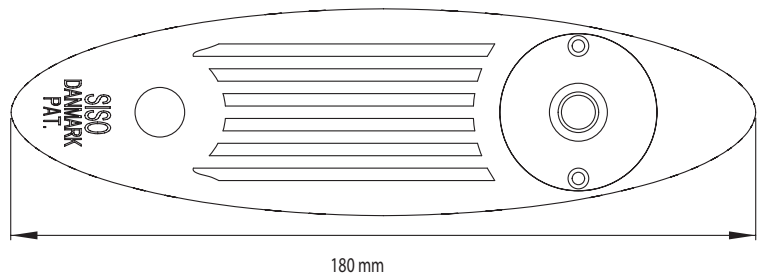
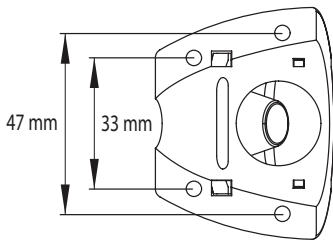
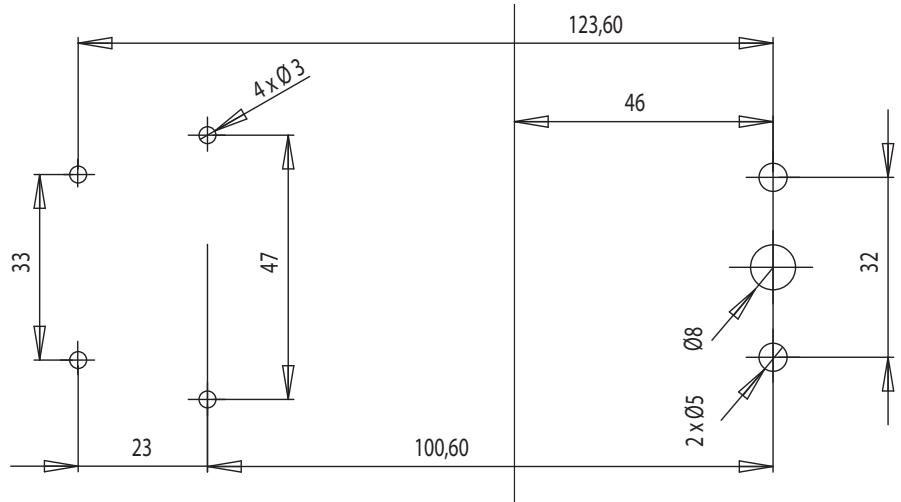


# SURF - THE TABLE CONNECTOR

- high quality furniture fittings



**PATENTED**



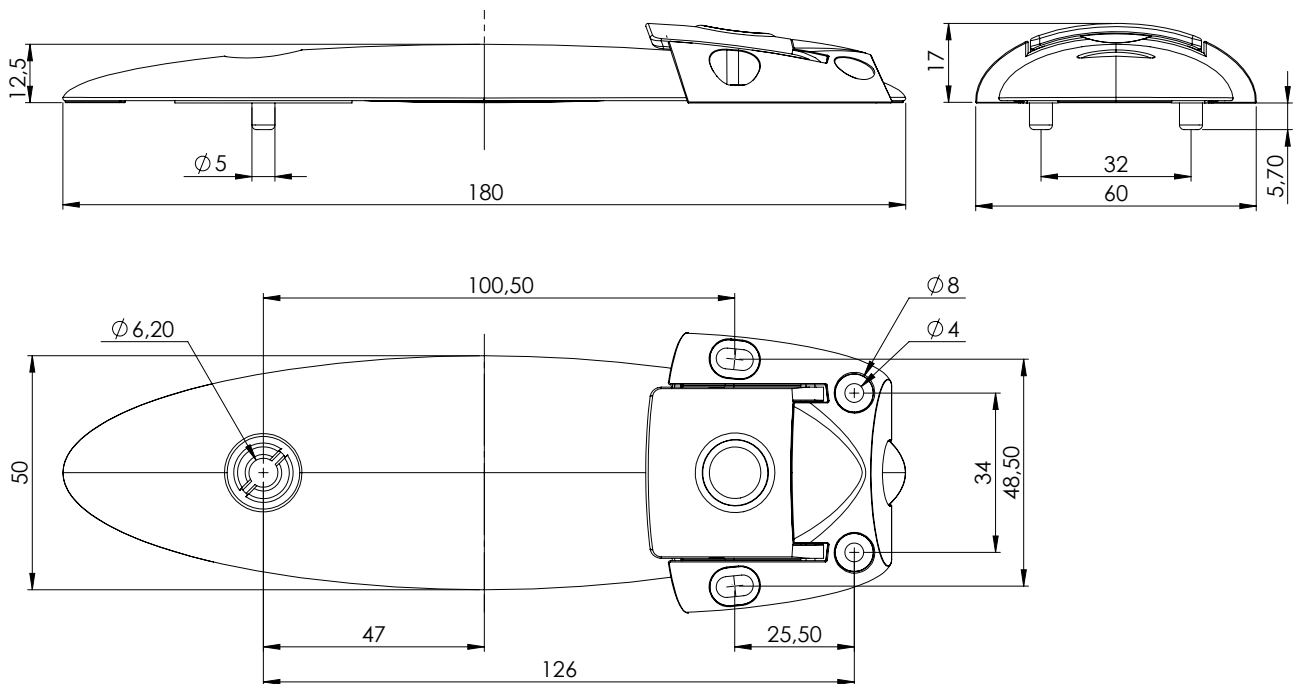


# SURF PA6 – THE TABLE CONNECTOR



**PATENTED**

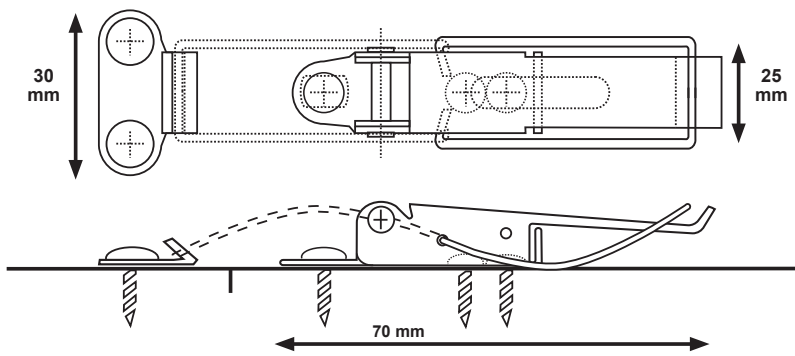
The SURF PA6 table connector is the second generation of our table connector SURF. As the name indicates it is produced in polyamid material whereas the original SURF is made of zamak. The function is the same but due to the choice of material the price is more affordable. It is however only available in black color.



1 set consists of a male & female part made of PA6 material. Fixation by means of 4 wood screws, a zamak screw-in bushing and a fifteen screw.

- |  |             |
|--|-------------|
| 1 Male + 1 female – black                          | # 24.03.107 |
| Pan headed wood screw $\phi 4 \times 20$ mm, black | # 11.08.298 |
| Fifteen screw M6 x 25 mm, black                    | # 12.00.903 |
| Screw-in bushing E-620, zamak M6 x 20 mm, YZP      | # 12.10.223 |





**Catch #22** is a patented version of the traditional table catch. This new model holds itself flat underneath the table top and spare leaves in both the locked and unlocked position.

Flat to base, even when unlocked - see picture A - D.

The old version always hung loose underneath the table and from spare leaves when not in use. This could easily cause damage to surfaces and edges, particularly on tables fitted with folding »butterfly« extension leaves and even to peoples' legs and clothing.

### Catch #22

<b>Material:</b>	
Stainless Steel, Polished	# 24.03.000
Steel, Bronzed Plated	# 24.03.001
Steel, Yellow Zinc Plated	# 24.03.002
Steel, Bright Zinc Plated	# 24.03.003
Steel, Black E-coated	# 24.02.999

**Fixation:**  
Wood Screws: Ø4 mm x 16 mm, Pan Head

Catch #22 with a 60 mm long hasp for tables with chamfered edges

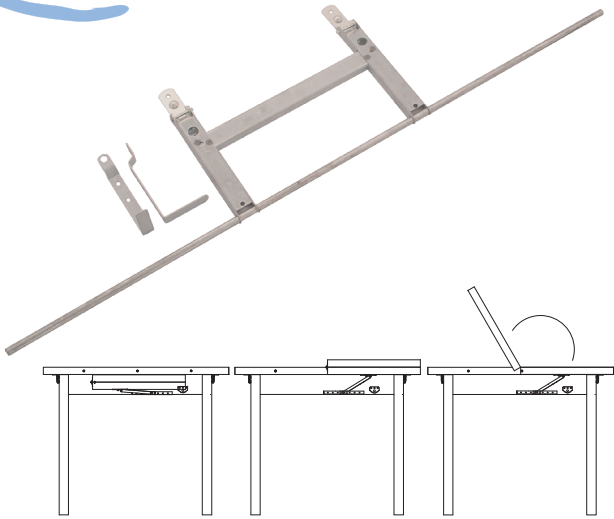
Steel, Yellow Zinc Plated	# 24.03.005
---------------------------	-------------

**Patent:** UK Pat No. 2309252  
United States Patent 6,041,721  
EP Pat. No. 0786217B1



# HIDE AWAY MECHANISM

## HIDE AWAY MECHANISM f/ FOLDED TABLE TOPS



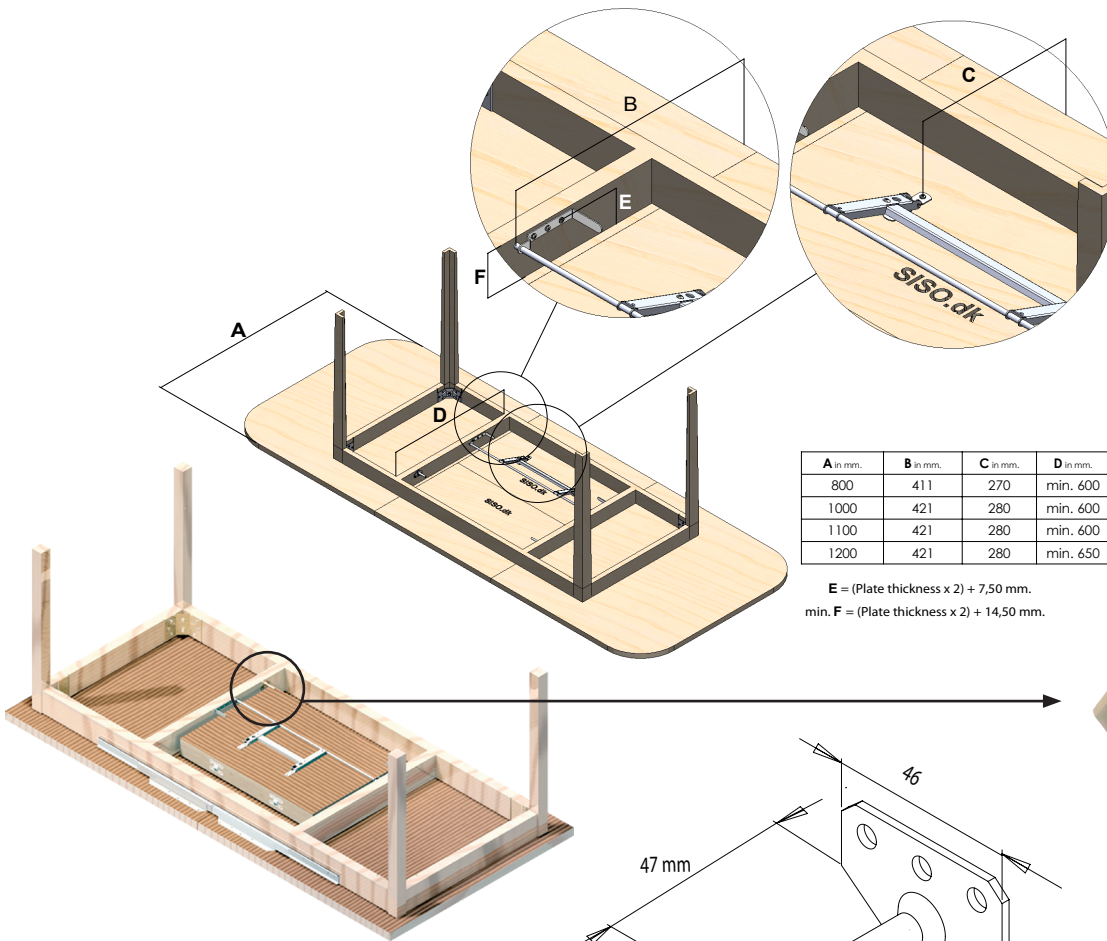
Hide Away Mechanism in action

- Suitable for table flap widths from 400 to 700 mm.

Material: Steel  
 Size: Bar: Ø8 x 800 mm  
 Frame: 160 x 255 mm  
 Clips: 20 x 75 mm  
 Screw holes: Ø4,5 mm  
 Finish: Chrome Plated

The Mechanism incl. 2 Brackets  
 Material: Steel  
 Size: 14 x 55 x 109 mm  
 Screw holes: Ø 4,5 mm  
 Finish: Chrome Plated

Item No.: # 24.08.016

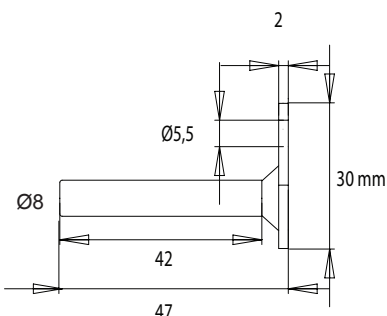


Hide Away Mechanism for Folded Table Tops  
seen from bottom with other accessories mounted

## SUPPORT BRACKET – f/ TABLE FLAPS

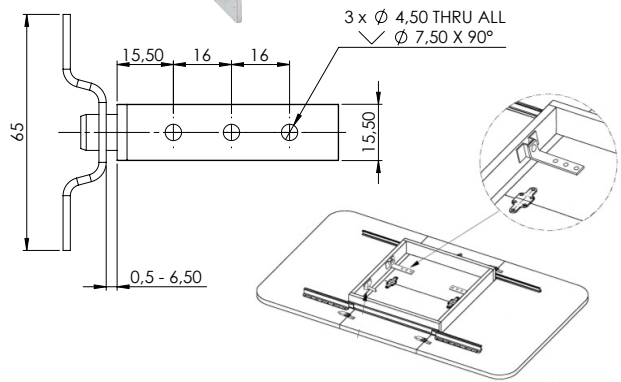
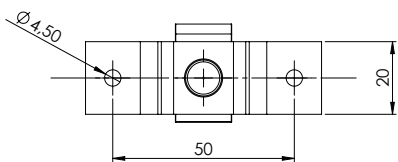
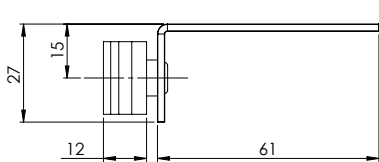
Material: Steel Yellow Zinc  
 Size: Body: 46 x 30 mm  
 Pin: Ø8 x 47 mm  
 Screw holes: Ø5,5 mm

Item No.: # 24.03.160



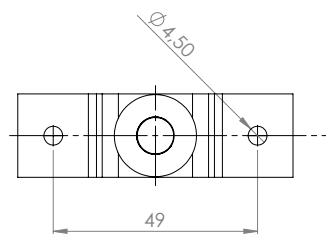
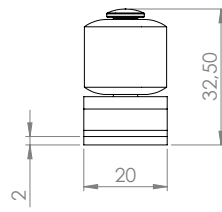
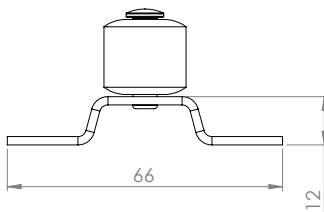
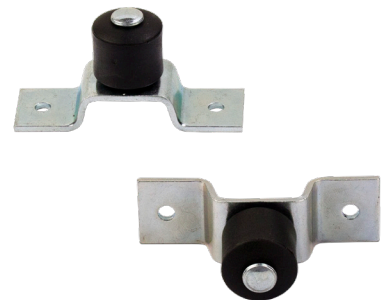
## PIVOT BEARING – F/BUTTERFLY TABLE LEAVES

Material: Steel  
 Finish: Bright zinc plated  
 Item No.: # 24.08.000  
 (1 set = 2 mounting brackets + 2 L-brackets)



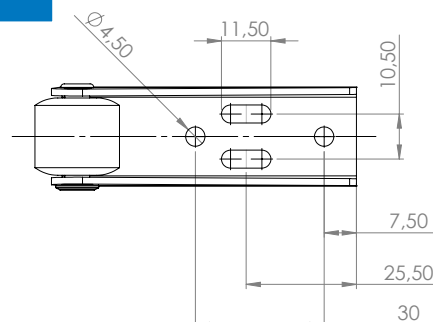
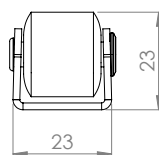
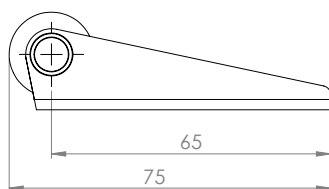
## SUPPORT ROLLER - F/BUTTERFLY TABLE LEAVES

Material: Steel and PP  
 Size: Bracket: 66 x 20 x 12 mm (L/W/H)  
 Roller: ø 20 mm  
 Finish: Bright zinc plated & black PP  
 Item No.: # 24.08.001 (2 pieces)



## TABLE SLIDE SUPPORTING ROLLER

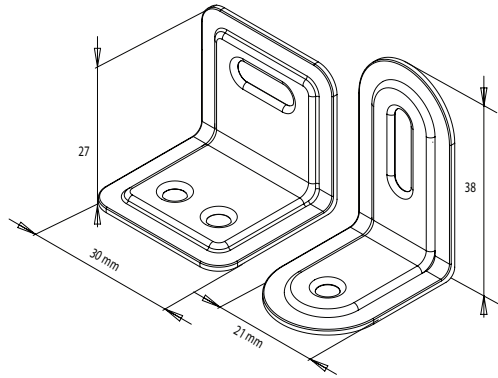
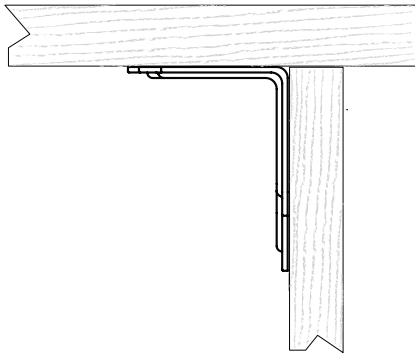
Material: Steel and PP  
 Size: Bracket: 75 x 23 x 23 mm (L/W/H)  
 Roller: ø 20 mm  
 Finish: Bright zinc plated & black PP  
 Item No.: # 24.08.005 (1 piece)



# TABLE CLIPS & NUTS

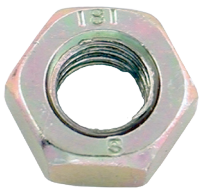
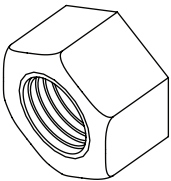
## TABLE CLIP

Material:	Steel 1 mm	Screw holes:	Ø4 mm
Finish:			Bright Zinc Plated
Size:	21 x 38 x 28 mm	#	24.09.010
	30 x 27 x 27 mm	#	24.09.020



## HEXAGONAL NUT DIN 934

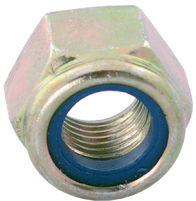
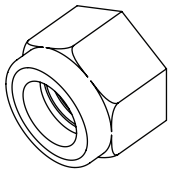
Material:	Steel
Finish:	Yellow Zinc or Bright Zinc
Size:	Item No.:
M6	# 12.11.905/906
M8	# 12.12.015/16
M10	# 12.12.026/27



M6 to M10

## HEXAGONAL NUT WITH NYLON RING DIN 985

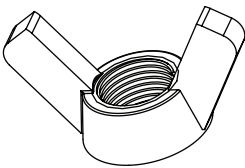
Material:	Steel and nylon
Finish:	Yellow Zinc or Bright Zinc
Size:	Item No.:
M6	# 12.12.421
M8	# 12.12.440
M10	# 12.12.445



M6 to M10

## WING NUT

Material:	Steel
Finish:	Yellow Zinc or Bright Zinc
Size:	Item No.:
M6	# 12.12.050/51
M8	# 12.12.055/58
M10	# 12.12.060/61

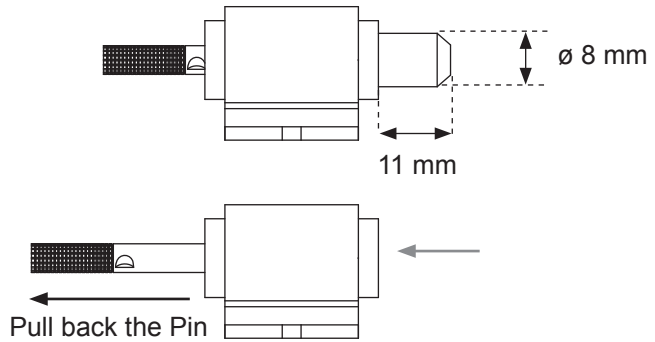
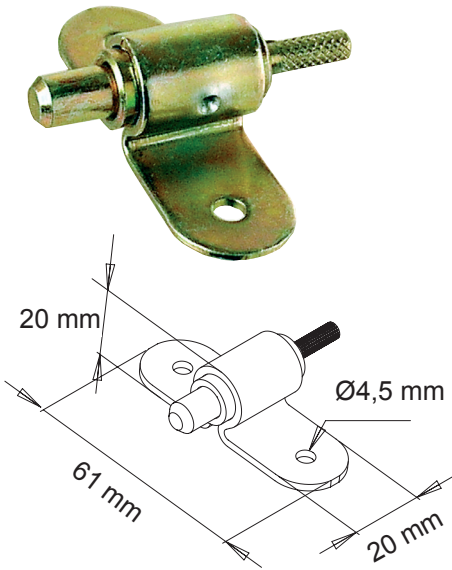


M6 to M10



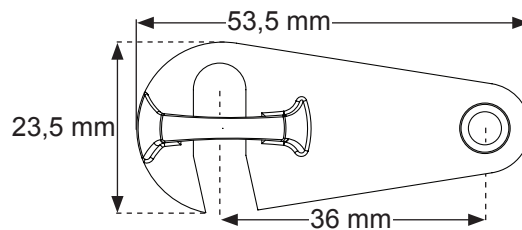
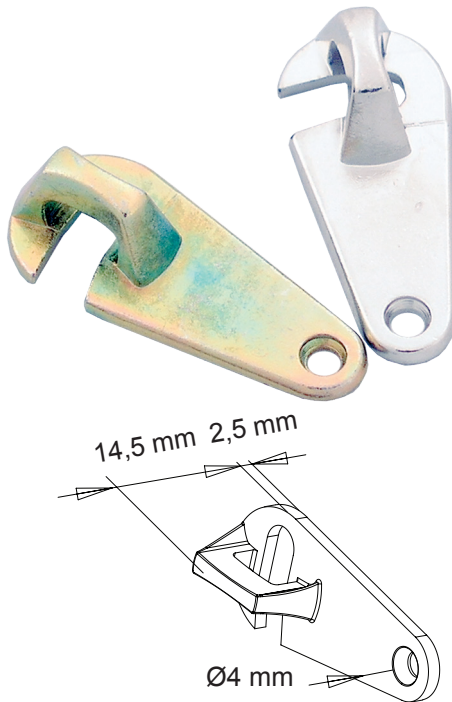
## LOCKING PIN »CEPACOMO« SPRINGLOADED

Material:	Steel
Size:	Body: 20 x 61 mm Pin: $\varnothing$ 8 x 11 mm
Screw holes:	$\varnothing$ 4,5 mm
Finish: Yellow Zinc	# 04.05.150



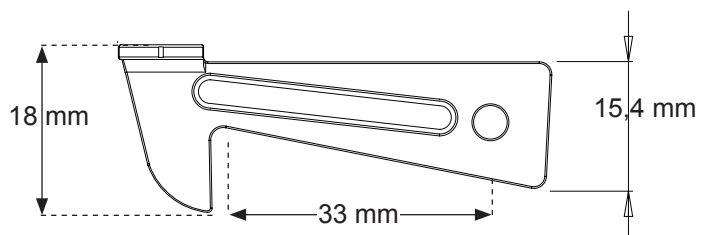
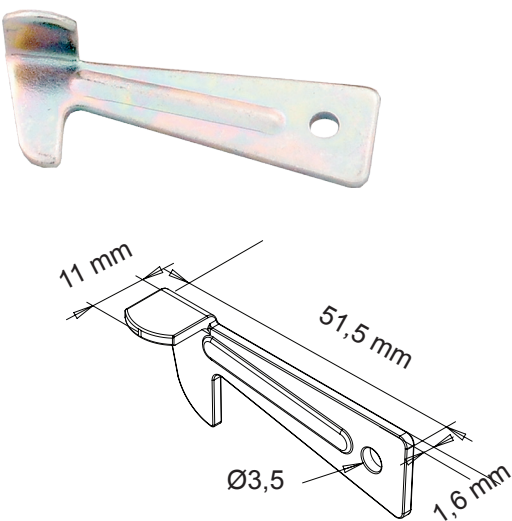
## TABLE HOOK »DE LUXE«

Material:	Zamak
Total Size:	23,5 x 53,5 mm
Hook opening:	7 mm
Screw hole:	$\varnothing$ 4 mm
Finish: Nickel Plated	# 24.03.085
Yellow Zinc	# 24.03.086



## TABLE HOOK »# 7864«

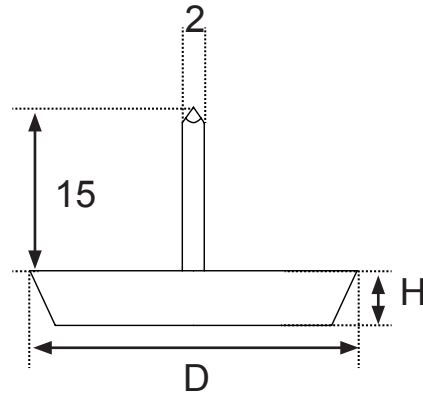
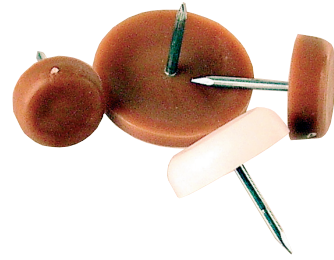
Material:	Steel 1,60 mm
Total Size:	18 x 51,5 mm
Screw hole:	$\varnothing$ 3,5 mm
Finish: Yellow Zinc	# 24.03.080



## PLASTIC TACK, NAIL-ON GLIDE

**Material:** Base: Polyethylene, (PE), brown or white.  
Nail: Steel, zinc plated.

**Application:** Nail-on glide with Ø2 x 15 mm nail.

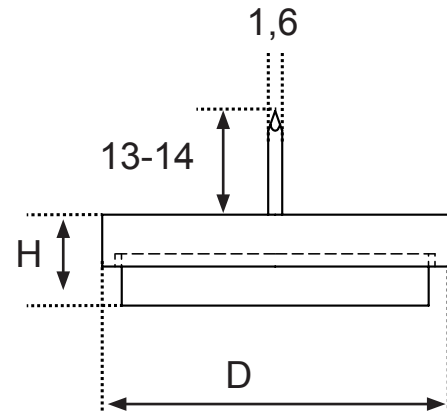


Item - number	Finish	D diameter	H height
#10.25.018	White	Ø13 mm	6 mm
#10.25.020	White	Ø15 mm	6 mm
#10.25.021	Brown	Ø15,5 mm	6 mm
#10.25.030	White	Ø18 mm	6 mm
#10.25.031	Brown	Ø18 mm	6 mm
#10.25.050	White	Ø22 mm	6 mm
#10.25.058	Brown	Ø28 mm	6 mm

## PLASTIC TACK W/FELT, NAIL-ON GLIDE

**Material:** Base: Polyethylene, (PE), brown or white.  
Nail: Steel, zinc plated.  
Felt: Grey.

**Application:** Nail-on glide with Ø1,6 x 13 mm nail.

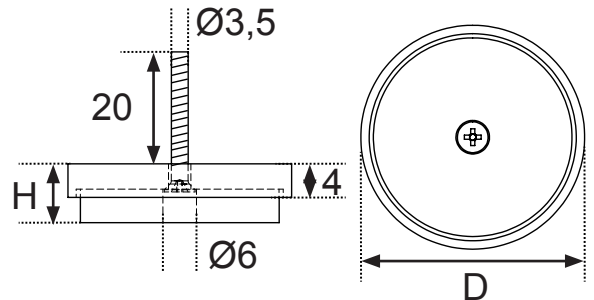


Item - number	Finish	D diameter	H height	Felt - thickness
# 10.25.078	White	Ø15	8 mm	4 mm
# 10.25.079	Brown	Ø15	8 mm	4 mm
# 10.25.082	White	Ø18	8 mm	4 mm
# 10.25.083	Brown	Ø18	8 mm	4 mm
# 10.25.086	White	Ø22	8 mm	4 mm
# 10.25.087	Brown	Ø22	8 mm	4 mm
# 10.25.090	White	Ø28	8 mm	4 mm
# 10.25.091	Brown	Ø28	8 mm	4 mm

## PLASTIC TACK W/FELT, SCREW-ON GLIDE

**Material:** Base: Polystyrol, (PS), white.  
Stud: Steel, zinc plated.  
Felt: Grey.

**Application:** Screw-on glide with  $\text{Ø}3,5 \times 20$  mm pozidriv screw.

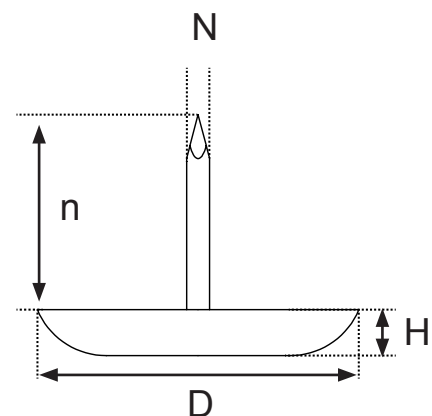


Item - number	Finish	D diameter	H height	Felt - thickness
# 10.25.100	White	Ø20	8 mm	4 mm
# 10.25.105	White	Ø24	8 mm	4 mm
# 10.25.110	White	Ø28	8 mm	4 mm
# 10.25.115	White	Ø40	8 mm	4 mm

## STEEL TACK, NAIL-ON GLIDE

**Material:** Base: Steel, nickel plated.  
Nail: Steel, zinc plated.

**Application:** Nail-on glide with nail.



Item - number	Finish	D diameter	H height	N <sub>nail</sub> diameter	n <sub>nail</sub> length
# 10.22.020	NPL	Ø13	3 mm	Ø1,4 mm	12 mm
# 10.22.040	NPL	Ø15	3 mm	Ø1,4 mm	14 mm
# 10.22.050	NPL	Ø16	3,2 mm	Ø1,75 mm	14 mm
# 10.22.060	NPL	Ø18	4 mm	Ø1,75 mm	16 mm
# 10.22.070	NPL	Ø20	4 mm	Ø2 mm	18 mm
# 10.22.080	NPL	Ø23	4 mm	Ø2 mm	19 mm
# 10.22.090	NPL	Ø25	4 mm	Ø2 mm	19 mm
# 10.22.100	NPL	Ø28	5 mm	Ø2 mm	20 mm
# 10.22.110	NPL	Ø30	5 mm	Ø2 mm	20 mm
# 10.22.120	NPL	Ø35	5 mm	Ø2,5 mm	27 mm

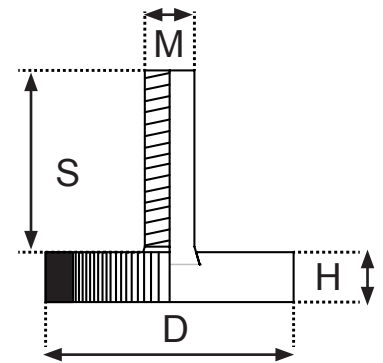
**ADJUSTABLE GLIDE "ALPHA"**

**Material:** Base: Polyamid (PA), black.  
Stud: Steel, bright zinc plated.

**Application:** W/Knurled edge on base.



Item - number	Finish	D diameter	H height	M size	S stud
10.16.006	Black	Ø15	6 mm	M6	22 mm
10.16.011	Black	Ø20	6 mm	M6	22 mm
10.16.016	Black	Ø20	6 mm	M6	40 mm
10.16.025	Black	Ø25	6 mm	M6	22 mm
10.16.027	Black	Ø25	6 mm	M8	22 mm
10.16.035	Black	Ø32	8 mm	M8	22 mm
10.16.040	Black	Ø38	9 mm	M8	26 mm
10.16.046	Black	Ø44	10 mm	M8	26 mm
10.16.120	Black	Ø60	10 mm	M10	34 mm



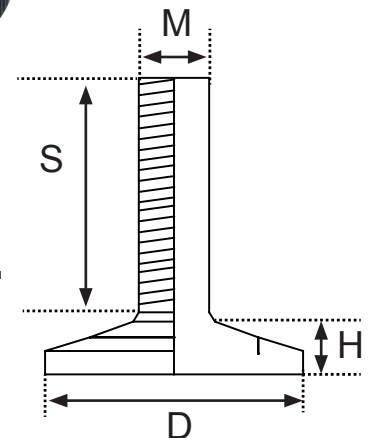
**ADJUSTABLE GLIDE "MAU"**

**Material:** Base: Polypropylene (PP), black.  
Shell: Steel, zinc plated.  
Stud: Steel, bright zinc plated.

**Application:** W/Knurled edge on base.



Item - number	Finish	D diameter	H height	M size	S stud
#10.16.210	Black/ZP	Ø20	7 mm	M6	20 mm
#10.16.214	Black/ZP	Ø28	8 mm	M8	22 mm
#10.16.215	Black/ZP	Ø28	8 mm	M8	38 mm
#10.16.230	Black/ZP	Ø32	9 mm	M10	25 mm

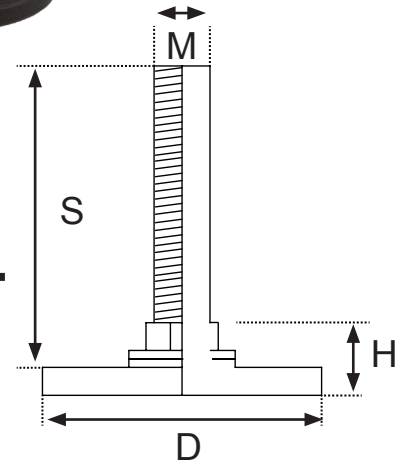




## ADJUSTABLE GLIDE “TIME”

**Material:** Base: Polypropylene (PP), black.  
Stud: Steel, bright zinc plated.

**Application:** W/Hex nut for easy height adjustment and M4 hex hole in top of the stud for quick fixing.  
Swivel stud for smooth leveling.

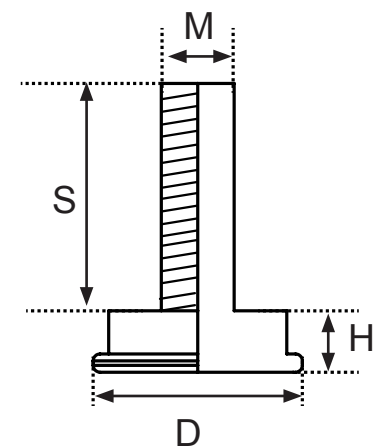


Item - number	Finish	D diameter	H height	M size	S stud
# 10.13.510	Black	Ø50	14 mm	M10	34 mm
# 10.13.520	Black	Ø50	14 mm	M10	98 mm

## ADJUSTABLE GLIDE “NORFOLK”

**Material:** Base: Steel, nickel plated or SS-304.  
Stud: Steel, bright zinc plated.  
Cushion: Black rubber.

**Application:** W/Rubber silencer cushion for quiet working environment.



Item - number	Finish	D diameter	H height	M size	S stud
#10.21.290	Black/NPL	Ø23	10 mm	M8	25 mm
#10.21.321	Black/SS-304	Ø30	12 mm	M8	25 mm

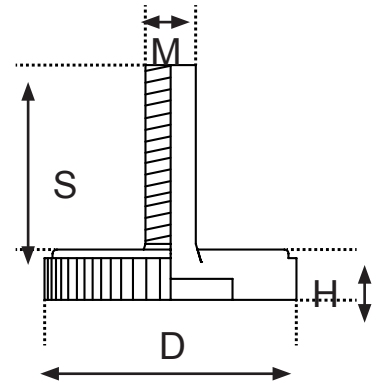
**ADJUSTABLE GLIDE "BETA"**

Material: Base: Polyamid (PA), black.  
Stud: Steel, bright zinc plated.

Application: W/Slot in bottom of base for quick fixing.

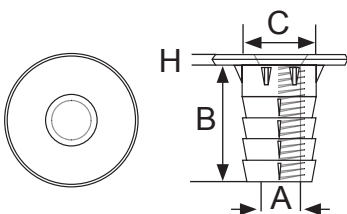


Item - number	Finish	D diameter	H height	M size	S stud
#10.17.047	Black	Ø20	7 mm	M6	6 mm
#10.17.053	Black	Ø20	7 mm	M6	22 mm

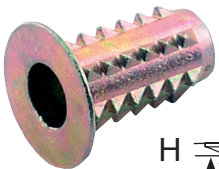


**KNOCK IN BUSHING »DR«**

Material: Steel, Yellow Zinc Plated (YZP) or Bright Zinc Plated (BZP)  
Type: Knock in. With collar

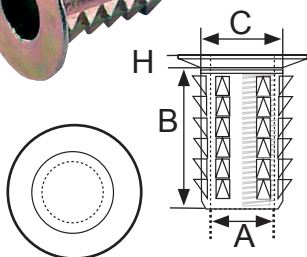


A	B	C	H = Head	YZP	BZP
M6	14 mm	Ø8,3 mm	Ø14 x 1,5 mm	# 12.10.710	# 12.10.711
M8	16 mm	Ø10,5 mm	Ø19 x 2,5 mm	# 12.10.721	# 12.10.720
M10	17 mm	Ø12,5 mm	Ø22 x 2,5 mm	# 12.10.730	# 12.10.731



**KNOCK IN BUSHING »BI«**

Material: Zamak, Yellow Zinc Plated (YZP)  
Type: Knock in. With countersunk collar



A	B	C	H = Head	Finish	Item No.
M8	20 mm	Ø10 mm	Ø19 x 3 mm	YZP	# 12.10.000

# NOTES

- high quality furniture fittings



A series of horizontal dotted lines spanning the width of the page, providing a template for handwritten notes.









*- high quality furniture fittings*

**SISO A/S**

Mileparken 11 Phone: (+45) 45 830 900  
DK - 2740 Skovlunde (Copenhagen) Fax: (+45) 45 830 444  
Denmark E-mail: [siso@siso.dk](mailto:siso@siso.dk) Web: [www.siso.dk](http://www.siso.dk)